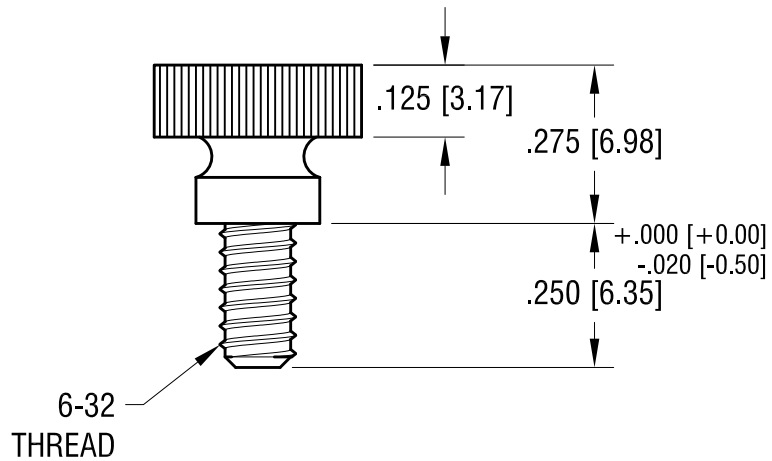
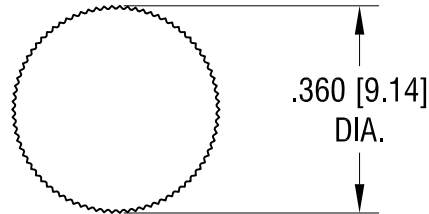
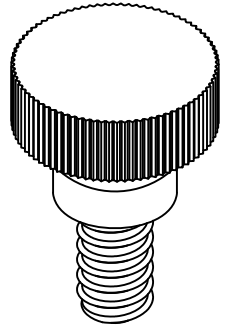


THIS DOCUMENT IS THE PROPERTY OF
KEYSTONE ELECTRONICS CORP. AND
SHALL NOT BE REPRODUCED, DISTRIBUTED
OR USED AS A BASIS FOR MANUFACTURE
WITHOUT PRIOR WRITTEN PERMISSION
FROM KEYSTONE ELECTRONICS CORP.



KEYSTONE ELECTRONICS CORP.

www.keyelco.com • ASTORIA, N.Y. 11105-2017 • Tel (718) 956-8900

PART NAME		KNURL HEAD THUMB SCREW	
MATERIAL		NYLON 6/6	
FINISH	-	DRN BY	NT
		DATE	3.22.11
		APP'D	LN
		SCALE	3X
TOLERANCES	INCH [MM]	CODE	DWG NO.
DECIMAL	$\pm .010$ [± 0.25]	C/M	2503
ANGULAR	$\pm 1^\circ$		
UNLESS OTHERWISE SPECIFIED			

8.04.11	CHANGE AS PER ECN 11-100	A
DATE	DESCRIPTION	REV.