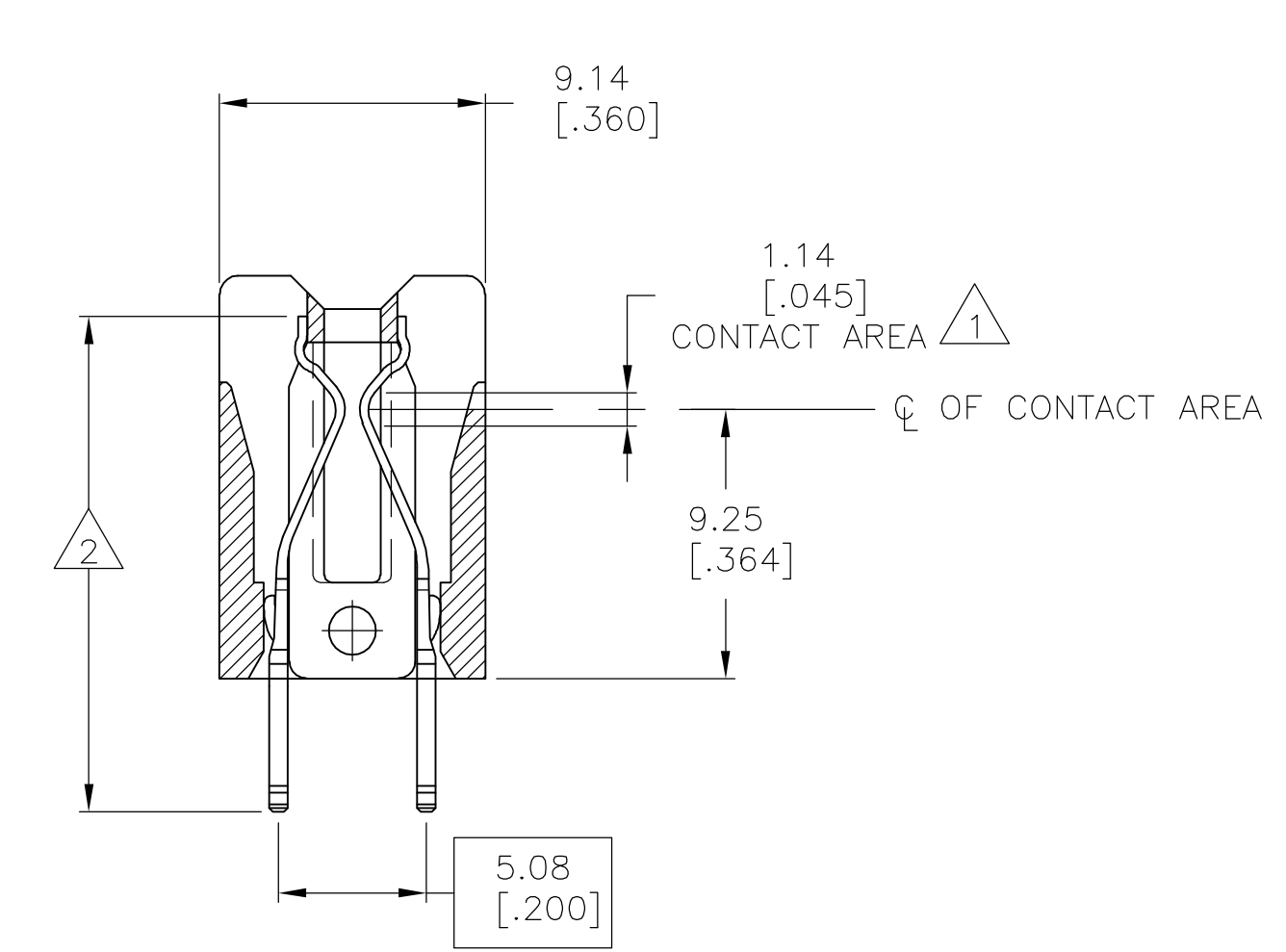
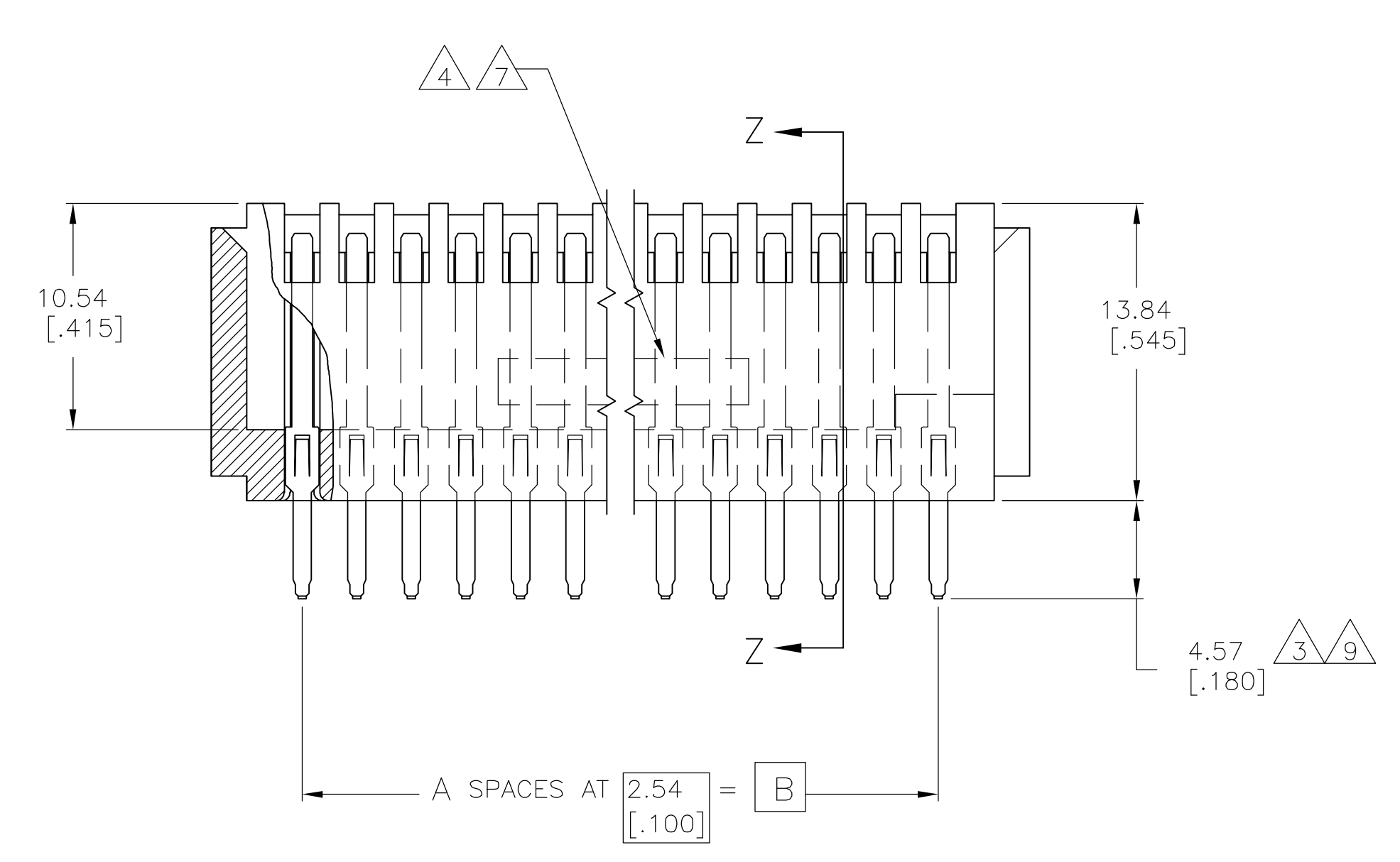
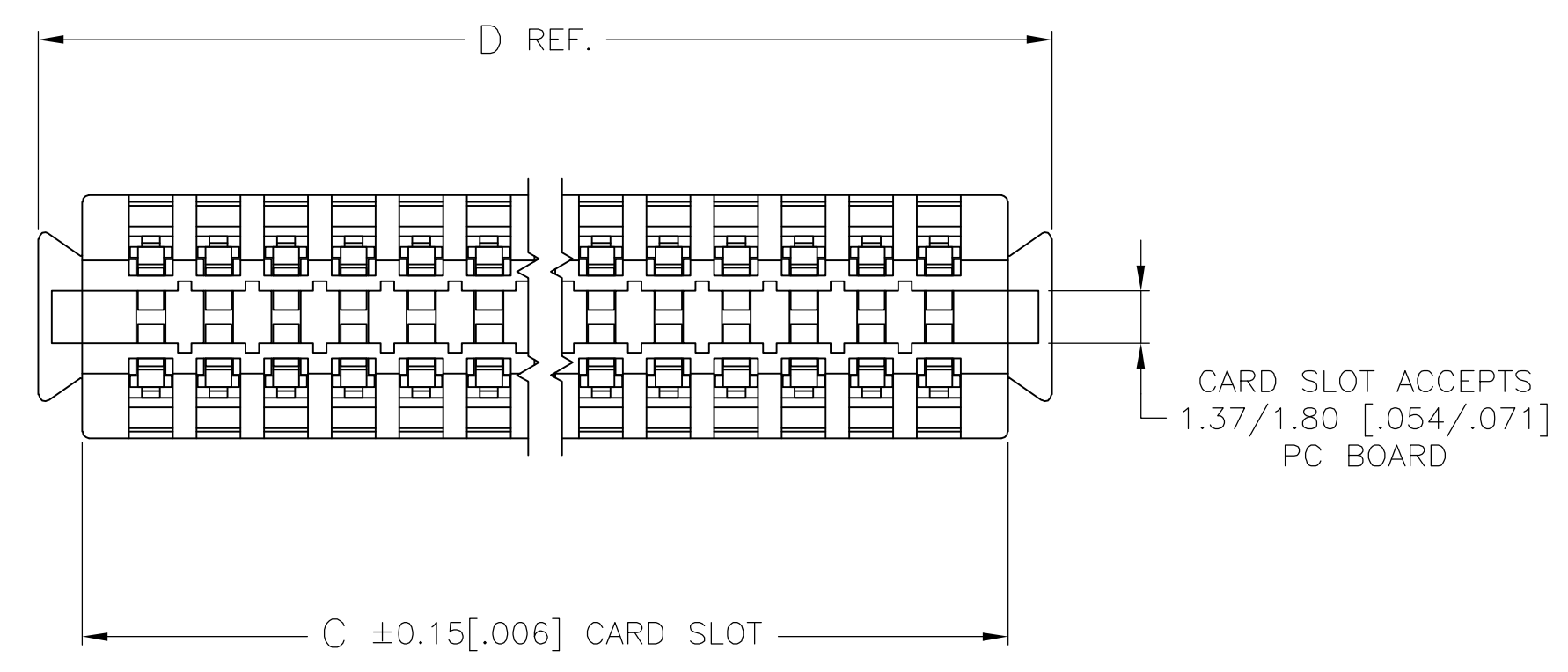


LOC		DIST		REVISIONS			
P	LTR	DESCRIPTION	DATE	DWN	APVD		
B		REVISED PER EC 0G3C-0205-05	14FEB06	GS	MM		

- 1 GOLD PLATE .00076 [.000030] MIN. THICK.
- 2 NICKEL PL .00127[.000050] MIN. THK. PER QQ-N-290
- 3 SOLDER PL .00254[.000100] MIN. THK.
- 4 STAMPED P/N & DATE CODE.
- 5 OPTIONAL: KEYING PLUG FOR INTERCONTACT KEYING IS 118982-1.
- 6. OPTIONAL: CARD GUIDE (BASE NO 117169)
- 7 ALL PARTS ASSEMBLED IN MEXICO MUST BE STAMPED "ASSY IN MEXICO". THE WORD "MEXICO" CAN BE SUBSTITUTED ONLY WHERE PART SIZE PROHIBITS STAMPING "ASSY IN MEXICO". INK PER 115-9009, APPROX WHERE SHOWN, SIDE OPTIONAL.
- 8 HOUSING: VALOX 420 SEO, BLACK. POST: PHOSPHOR BRONZE.
- 9 MATTE TIN PL .00254[.000100] MIN. THK.



SECTION Z-Z

9	51.66 [2.034]	48.36 [1.904]	43.18 [1.700]	17	18	5-678044-1
	51.66 [2.034]	48.36 [1.904]	43.18 [1.700]	17	18	678044-1
	D	C	B	A	POSN.	PART NO.

THIS DRAWING IS A CONTROLLED DOCUMENT.

DIMENSIONS: mm [INCHES]	TOLERANCES UNLESS OTHERWISE SPECIFIED:	DIN 9 HAYMAKER 13MAY99	Tyco Electronics Corporation Harrisburg, Pa 17105-3608
0 PLC ± -	1 PLC ± -	CHK M. MILLER 13MAY99	
2 PLC ± -	3 PLC ± 0.25[.010]	APVD M. MILLER 13MAY99	CONNECTOR, AMP PACE .100 X .200
4 PLC ± -	ANGLES ± -	PRODUCT SPEC	
MATERIAL	FINISH	APPLICATION SPEC	RESTRICTED TO
8	1 2 3 9	SIZE CAGE CODE DRAWING NO	A1 00779 C=678044
CUSTOMER DRAWING		WEIGHT	SCALE 4:1 SHEET 1 OF 1 REV B