

Model No: SBS-300F38CP01-04
 Product Line: Tympany

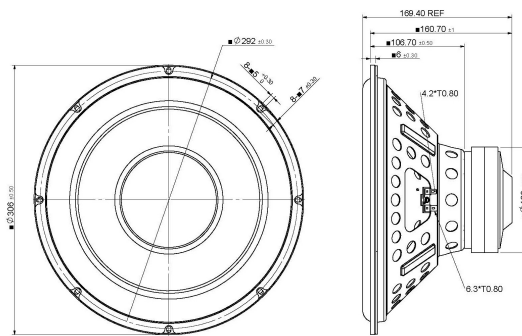
Rev: 1
 Last Update: 2017-04-21 12:39:42

Product Description

This 12inch 4ohm subwoofer, a member of the new SBS product family, with a coated paper cone, with NBR surround and steel basket, the motor features a double ferrite magnet motor. The product offers high power handling capacity, geared towards operation in smaller sealed powered systems.



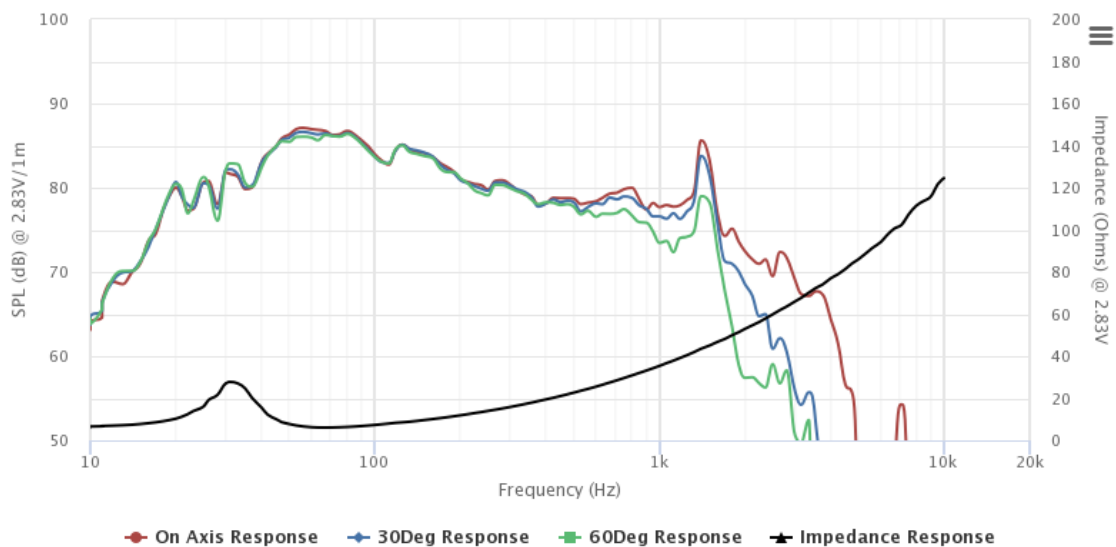
Mechanical Drawing



Specifications

DC Resistance	Revc	Ohms	3.82	5.0%	Energy Bandwidth Product	EBP	(1/Qes)*fs
Minimum Impedance	Zmin	Ohms	6.09	7.5%	Moving Mass	Mms	g
Voice Coil Inductance	Le	mH	1.61		Suspension Compliance	Cms	um/N
Resonant Frequency	Fs	Hz	36.23	15%	Effective Cone diameter	D	cm
Mechanical Q Factor	Qms		4.78		Effective Piston Area	Sd	cm^2
Electrical Q Factor	Qes	0.7			Effective Volume	Vas	L
Total Q Factor	Qts	0.61			Motor Force Factor	BL	Tm
Ratio Fs/Qts	F	Fs/Qts	59.19		Motor Efficiency Factor	β	(T*M^2)/Ohms
Half Space Sensitivity @2.83V	db@2.83V/1M	dB	86.63	+/- 1.0db	Voice coil former Material	VCfm	ASV
Half Space Sensitivity @1W/1M	db@1W/1M	dB	85.4	+/- 1.0db	Voice coil inner diameter	VCd	mm
Gap Height	Gh	mm	8		Rated Noise Power	P	W
Maximum Linear Excursion	Xmax	mm	8.3		Test Spectrum Bandwidth		40Hz-200Hz
Ferofluid Type	FF				Driver Size	Inch	12 in
Driver Mass	Kg	3.56					

Frequency and Impedance Response



Highcharts.com