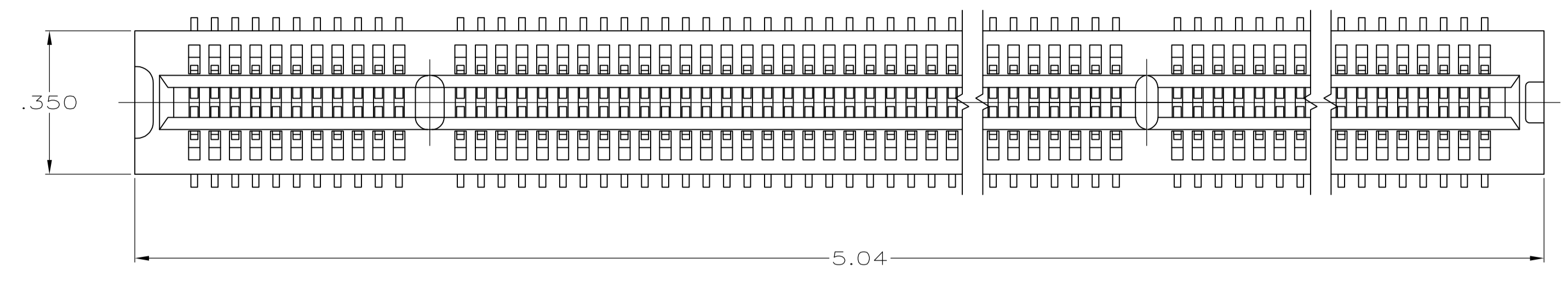
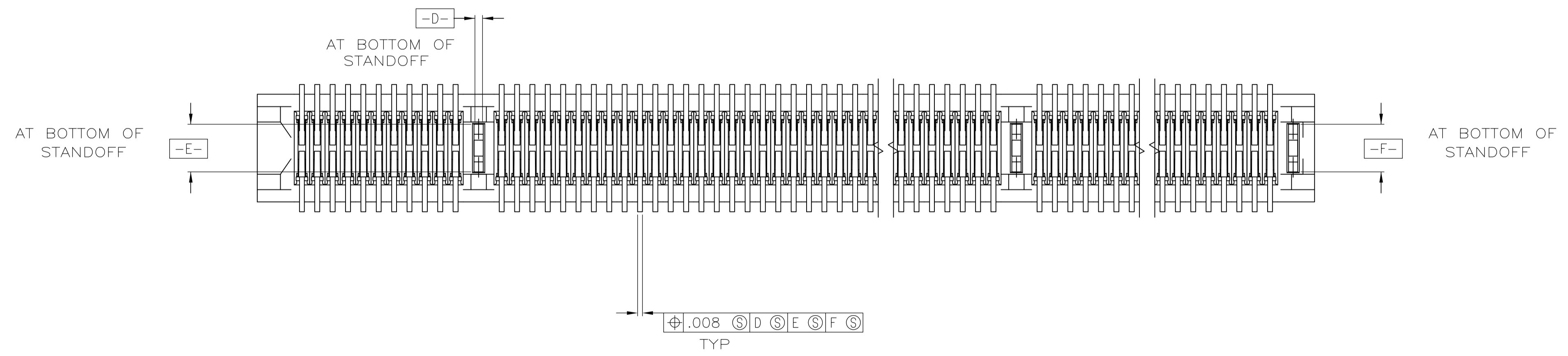
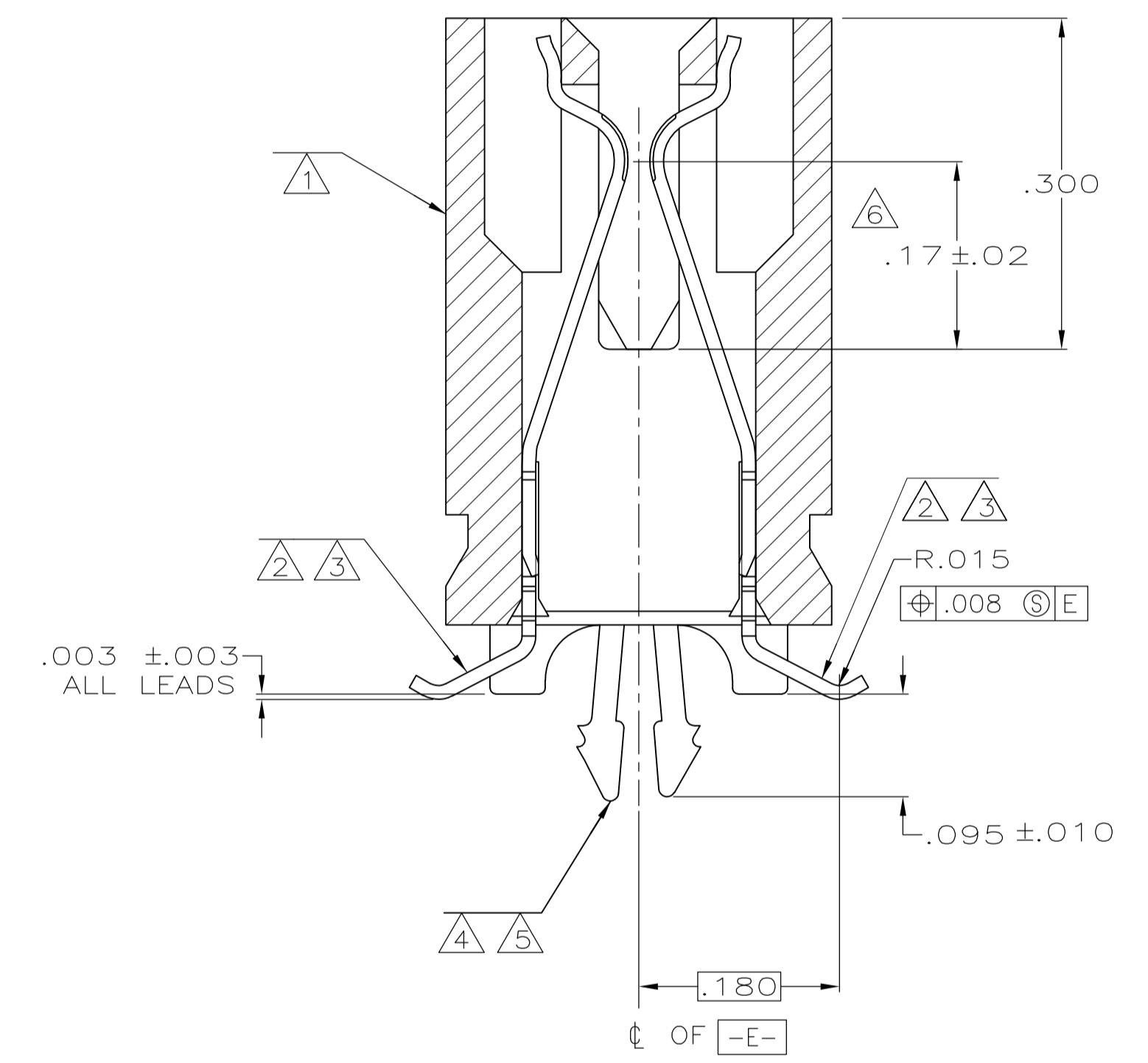
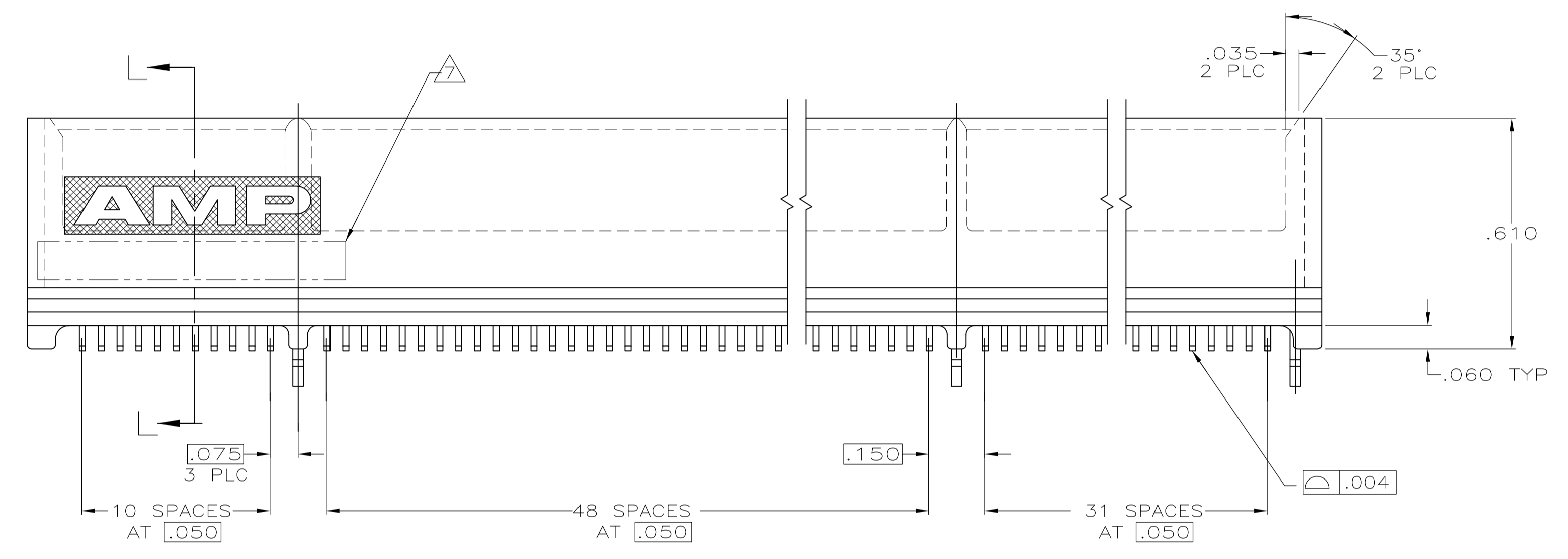


LOC	DIST	P	F	ZONE	LTR	DESCRIPTION	DATE	APPD
GP	00							
				A		REV PER OS1B-0112-00	06/10/00	MM PD
				B		REV PER OS1B-0037-01	3/28/01	JB PD
				C		REV PER OS12-0121-03	10/23/03	RC MP
				C1		REV PER ECO-09-021826	07JAN10	KK AEG



- 1 HOUSING: HIGH TEMPERATURE THERMOPLASTIC.
- 2 CONTACT: PHOSPHOR BRONZE.
- 3 CONTACT FINISH: .000100 MIN NICKEL ALL OVER. .000030 MIN GOLD OVER NICKEL IN CONTACT AREA. .000100 MIN TIN-LEAD OVER NICKEL ON SOLDER TAILS.
- 4 METAL HOLD DOWN: BRASS
- 5 METAL HOLD DOWN FINISH: .000050 MIN NICKEL ALL OVER, .000150 MIN TIN-LEAD ALL OVER.
- 6 DISTANCE FROM CONTACT POINT TO BOTTOM OF CARD SLOT.
- 7 AMP PART NUMBER, DATE CODE AND CSA LOGO MARKED IN APPROXIMATE AREA SHOWN.
- 8 OBSOLETE PARTS: OBSOLETE CIS STREAMLINING PER D.RENAUD/D.SINISI

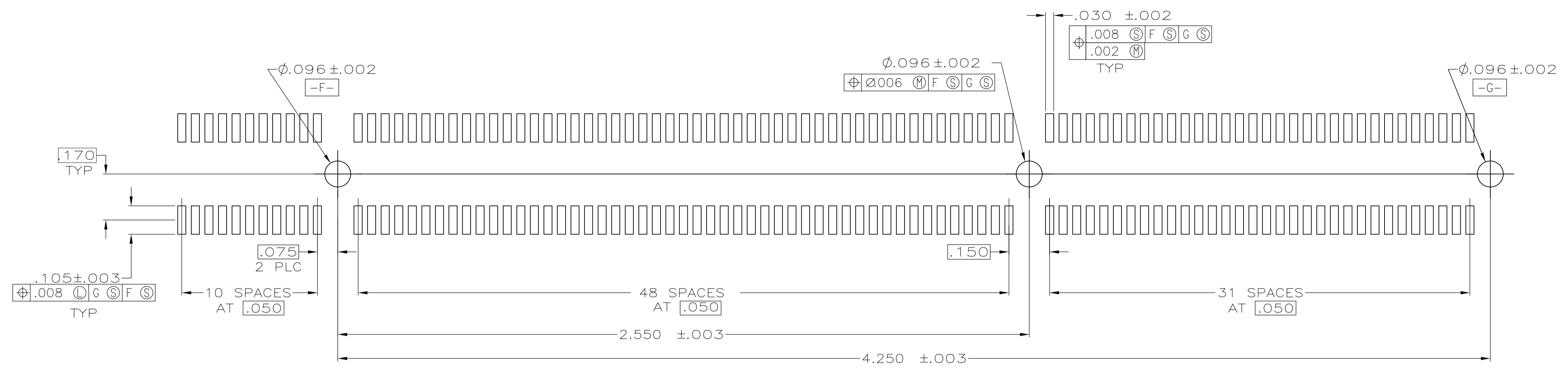


8	OBSOLETE	TUBE	145547-2
		TRAY	145547-1
	PACKAGING	PART NUMBER	

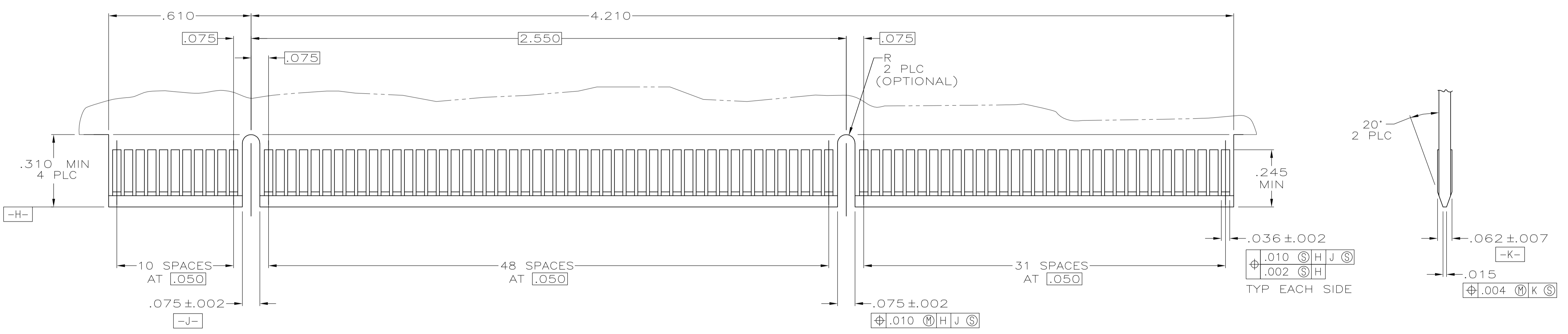
DO NOT SCALE PRINT. UNLESS SPECIFIED DIMENSIONS IN mm [INCHES]		DR 15AUG99 M.MORRIS		PART NO	
TOLERANCES ON : 2 PLC DEC ± .01 3 PLC DEC ± .005 ANGLES ± 2'		CHK 15AUG99 M BOWERS		AMP AMP Incorporated Harrisburg, PA 17105-3608	
MATERIAL		APPD 15AUG99 M BOWERS		NAME	
FINISH		APPD 15AUG99 M.BOWERS		CONNECTOR ASSEMBLY, 92 DUAL POSITION, .050 SERIES, STANDARD EDGE SURFACE MOUNT	
PRODUCT SPEC 108-14034		APPLICATION SPEC 114-26012		SIZE D	CAGE CODE 00779
WEIGHT -		SCALE 4:1		DRAWING NO C-145547	
				SHEET 1 OF 2	

THIS DRAWING IS A CONTROLLED DOCUMENT FOR AMP INCORPORATED. IT IS SUBJECT TO CHANGE AND THE CONTROLLING ENGINEERING ORGANIZATION SHOULD BE CONTACTED FOR THE LATEST REVISION.

REVISIONS						
LOC	DIST	P	F	ZONE	LTR	DESCRIPTION
GP	00				C1	SEE SHEET 1
DATE	APPD					
-	-					



RECOMMENDED CONNECTOR MOUNTING HOLE PATTERN
 (CONNECTOR SIDE SHOWN)



RECOMMENDED MATING BOARD EDGE CONFIGURATION

DO NOT SCALE PRINT. UNLESS SPECIFIED DIMENSIONS IN mm [INCHES] TOLERANCES ON: 2 PLC DEC ± .01 3 PLC DEC ± .005 ANGLES ± 2'	DR 15AUG99 M.MORRIS	AMP Incorporated Harrisburg, PA 17105-3608
	CHK 15AUG99 M BOWERS	
MATERIAL	APPD 15AUG99 M BOWERS	NAME
SEE SHEET 1	APPD 15AUG99 M.BOWERS	CONNECTOR ASSEMBLY, 92 DUAL POSITION, .050 SERIES, STANDARD EDGE SURFACE MOUNT
FINISH	PRODUCT SPEC 108-14034	SIZE
SEE SHEET 1	APPLICATION SPEC 114-26012	SCALE
	WEIGHT	CAGE CODE
		00779
		DRAWING NO
		145547
		SHEET
		2 OF 2