

- NOTES:
- REFER TO PS-79058 PRODUCT SPEC. FOR ELECTRICAL, MECHANICAL AND ENVIRONMENTAL SPECIFICATIONS.
  - MATERIAL:  
RECEPTACLE HOUSING: GLASS FILLED LCP (LIQUID CRYSTAL POLYMER); COLOR - BLACK; UL 94V-0  
TERMINALS: PHOSPHOR BRONZE
  - PACKAGING:  
PARTS PACKAGED IN TUBES PER PK-70873-0423
  - SEE SHEET 5 FOR CHARTED DIMENSIONS.
  - FOR FIXED TAIL/PCB PATTERN AT LAST CIRCUIT POSITIONS REFER TO SECTION A-A ON SHEETS 2 AND 3, AND PCB LAYOUT SHOWN ON SHEETS 4 AND 5.
- PLATING FINISH  
SELECTIVE GOLD: THICKNESS= 30 MICROINCHES/(0.76 MICROMETERS) MINIMUM.  
SELECTIVE TIN: THICKNESS= 75 MICROINCHES/(1.90 MICROMETERS) MINIMUM.  
NICKEL UNDERPLATE OVERALL.

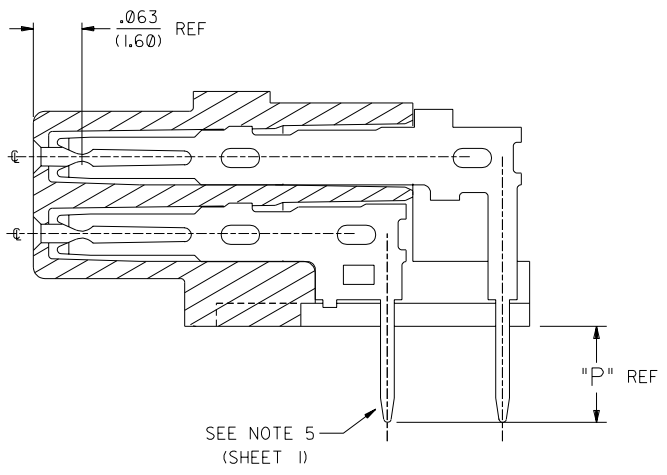
NOTE FOR LEAD FREE CONVERSION:  
THE PRIMARY SHIPPING CARTON WILL BE LABELED "COMPLIANT TO ROHS DIRECTIVE 2002/95/EC AND ELV ANNEX II OF DIRECTIVE 2000/53/EC". CARTONS WITHOUT THIS LABEL MAY CONTAIN PRODUCT WITH LEAD.

E		ADDED -3* SERIES EC #UDT2000-0115 J. LONG 99/07/30		DIMENSIONS SHOWN (METRIC) INCH UNLESS OTHERWISE SPECIFIED TOLERANCES: ANGULAR ± 1/2°		REVISE ONLY ON CAD SYSTEM	
G	OBSOLETE PART # ECN# UCP2005-0311 BSMART 04/08/09	DI	ADDED DATE CODE PER EC # U80357 J. LONG 97/07/24	3 PLACE ± .005 ---	2 PLACE ± --- ± 0.13	TITLE SALES ASSEMBLY SCSI RECEPTACLE	
F	LEADFREE ECN# UCP2004-1925 DMORGAN 04/04/06	D	ADDED NEW TAIL PATTERN PER ECN # U60600 95/11/14 J. LONG	1 PLACE --- ± ---	DRAWING INFORMATION: MOLEX INCORPORATED SHEET NO. 1 of 5 DATE 95/03/02		
LTR.	REVISIONS	LTR.	REVISIONS	DRAFT WHERE APPLICABLE MUST REMAIN WITHIN DIMENSIONS		PART NO. SEE SHEET 5 DRWG. NO. SDA-71061-****	
				DRWG. BY J. Long	CHK'D BY J. Long	FILE NAME 57106101.DGN	
				APP'D BY DJB	SCALE 4 1	THIS DRAWING CONTAINS INFORMATION THAT IS PROPRIETARY TO MOLEX INC. AND SHOULD NOT BE USED WITHOUT WRITTEN PERMISSION.	

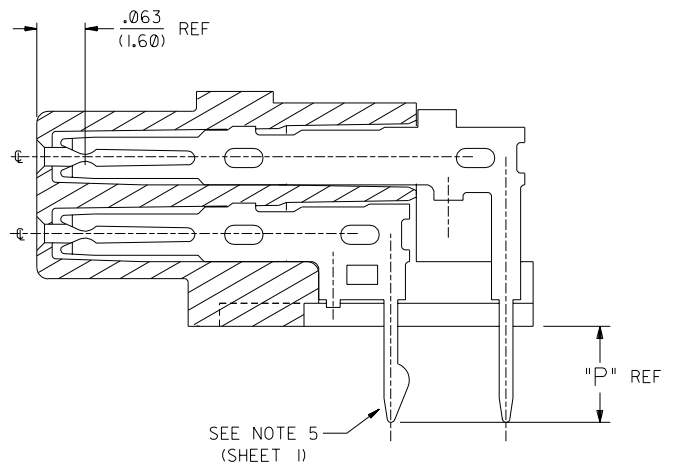
5	G
4	G
3	G
2	G
1	G

MFG. SH. REV.

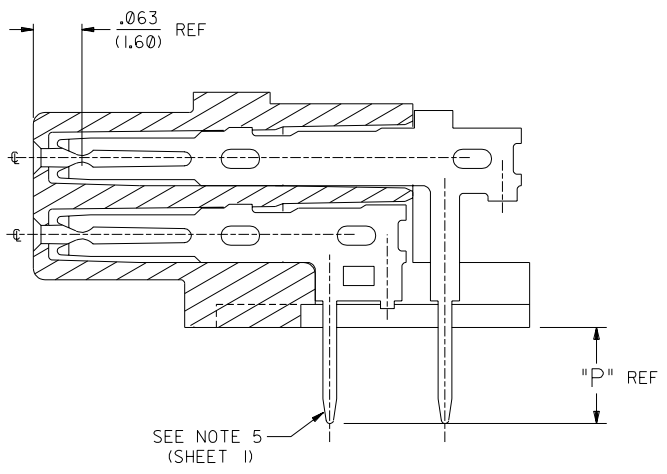
71061



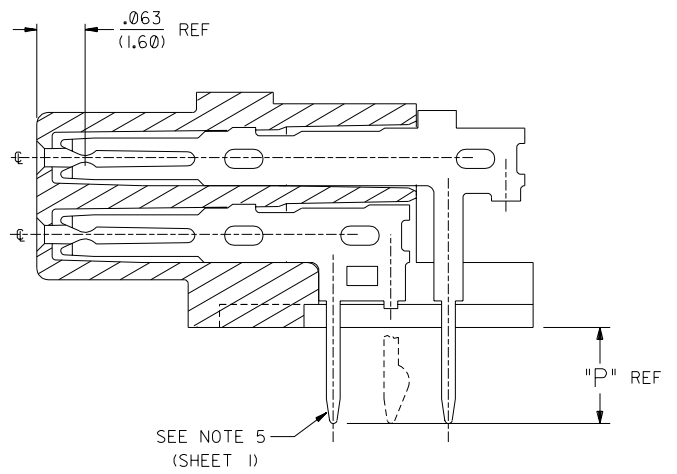
FOR 50 CIRCUIT ASSEMBLIES  
A-71061-0\*\*\*



FOR 50 CIRCUIT ASSEMBLIES  
A-71061-1\*\*\*



FOR 68 CIRCUIT ASSEMBLIES  
SECTION A-A  
A-71061-0\*\*\*



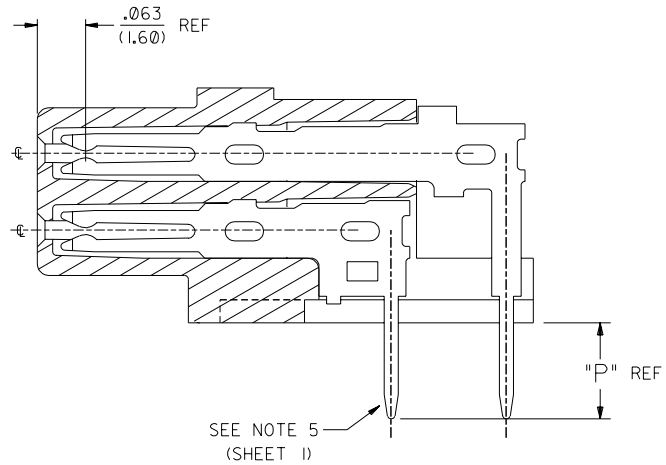
FOR 68 CIRCUIT ASSEMBLIES  
SECTION A-A  
FOR RETENTION TAIL OPTION  
A-71061-1\*\*\*

\*\* TYPE I TAIL OPTIONS \*\*

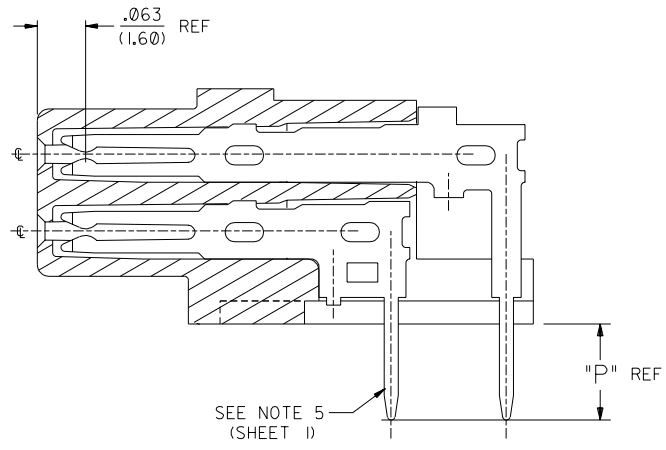
		D	SEE SHEET 1
G	SEE SHEET 1	B	SEE SHEET 1
E	SEE SHEET 1	A	SEE SHEET 1
LTR.	REVISIONS	LTR.	REVISIONS

DIMENSIONS SHOWN (METRIC) INCH	
UNLESS OTHERWISE SPECIFIED TOLERANCES: ANGULAR $\pm 1/2^\circ$	
3 PLACE $\pm .005$	---
2 PLACE $\pm .01$	$\pm 0.13$
1 PLACE $\pm .1$	---
DRAFT WHERE APPLICABLE MUST REMAIN WITHIN DIMENSIONS	
DRG. BY: J. Long	CHK'D. BY: J. Long
APP'D. BY:	SCALE: 4:1

MFG. SH. REV.		REVISE ONLY ON CAD SYSTEM	
TITLE: SALES ASSEMBLY SCSI RECEPTACLE			
FROM: MOLEX INCORPORATED	SHEET NO. 2	DATE 95/03/03	
LISLE, ILL. 60532 U.S.A.			
PART NO. SEE SHEET 5	DRWG. NO. SDA-71061-****		
FILE NAME: S7106102.DGN		DIV. DC	SIZE C
THIS DRAWING CONTAINS INFORMATION THAT IS PROPRIETARY TO MOLEX INC. AND SHOULD NOT BE USED WITHOUT WRITTEN PERMISSION.			



FOR TYPE I 50 CIRCUIT ASSEMBLIES  
A-71061-2\*\*\*



FOR TYPE II 68 CIRCUIT ASSEMBLIES  
SECTION A-A  
A-71061-2\*\*\*

71061

MFG.	SH.	REV.
------	-----	------

		G	SEE SHEET 1
		E	SEE SHEET 1
		D	SEE SHEET 1
LTR.	REVISIONS	LTR.	REVISIONS

DIMENSIONS SHOWN (METRIC) INCH  
UNLESS OTHERWISE SPECIFIED  
TOLERANCES: ANGULAR ± 1/2°

INCH		METRIC
3 PLACE	± .005	---
2 PLACE	± ---	± 0.13
1 PLACE	---	± ---

DRAFT WHERE APPLICABLE MUST  
REMAIN WITHIN DIMENSIONS

DRG. BY: *J. Long* CHK'D. BY: *J. Long*  
APP'D. BY: SCALE: 4 : 1

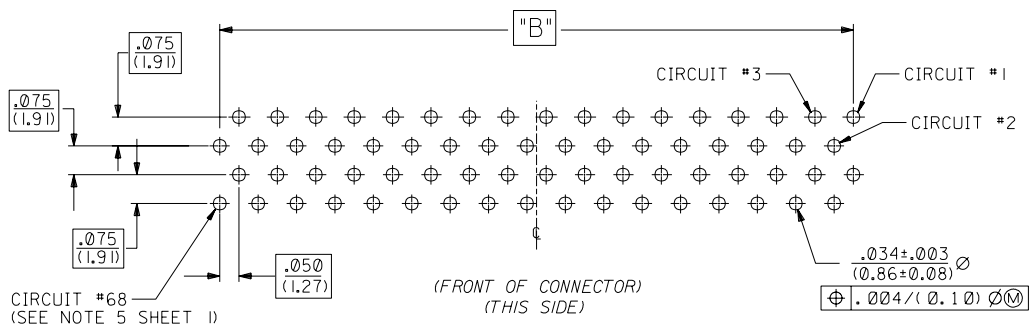
REVISE ONLY ON CAD SYSTEM

TITLE: SALES ASSEMBLY SCSI RECEPTACLE

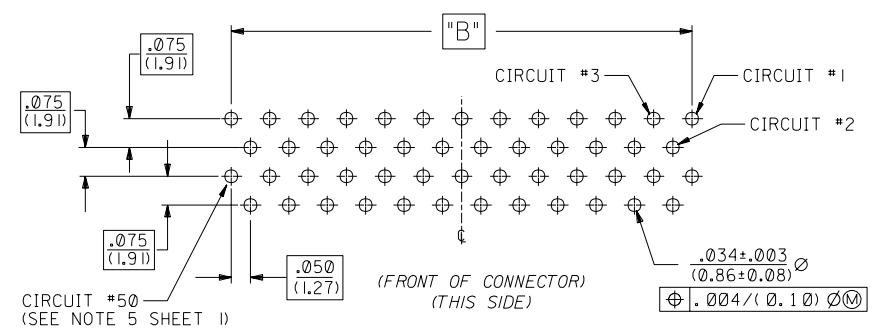
MOLEX INCORPORATED LISLE, ILL. 60532	SHEET NO. 3	DATE 95/11/14
PART NO. SEE SHEET 5	DRWG. NO. SDA-71061-****	

FILE NAME: 57106103.DGN  
THIS DRAWING CONTAINS INFORMATION THAT IS PROPRIETARY TO MOLEX INC. AND SHOULD NOT BE USED WITHOUT WRITTEN PERMISSION.

DC C

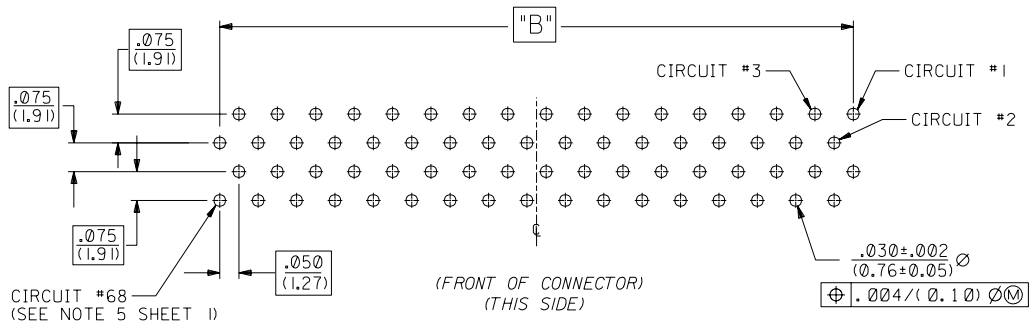


TYPE 168 CIRCUIT P.C. BOARD LAYOUT  
CONNECTOR SIDE

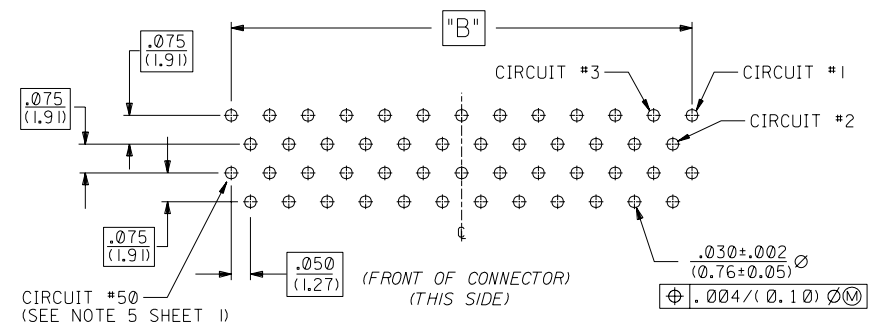


TYPE 150 CIRCUIT P.C. BOARD LAYOUT  
CONNECTOR SIDE

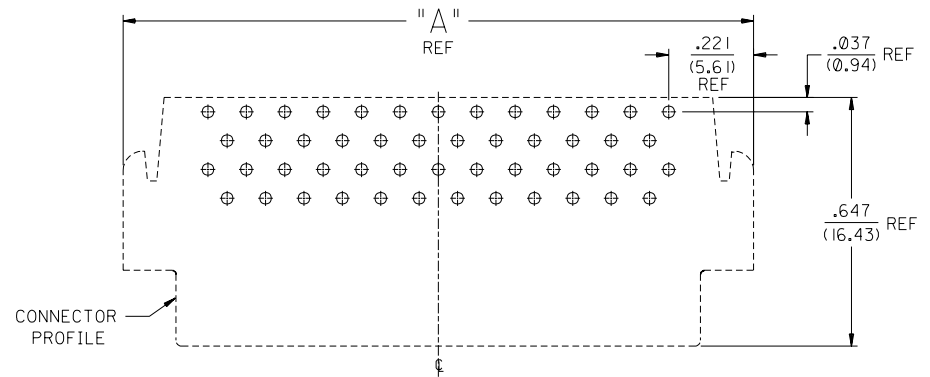
TYPE I TAIL P.C. BOARD LAYOUT FOR A-71061-0\*\*\*



TYPE 168 CIRCUIT P.C. BOARD LAYOUT  
CONNECTOR SIDE



TYPE 150 CIRCUIT P.C. BOARD LAYOUT  
CONNECTOR SIDE

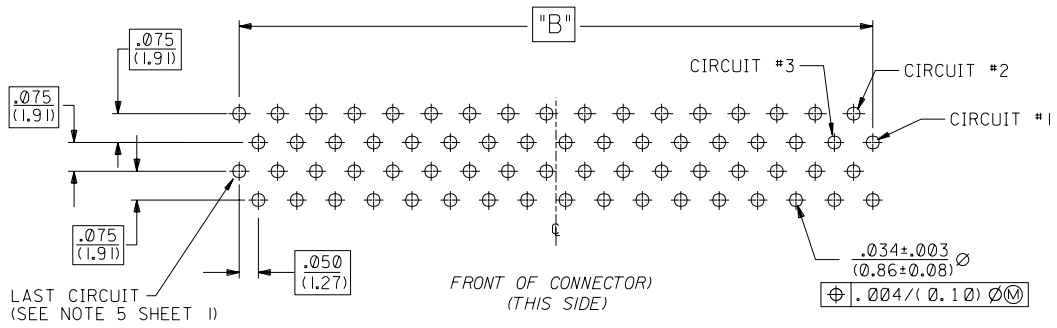


RECOMMENDED CONNECTOR LAYOUT  
(50 CKT SHOWN FOR REFERENCE)

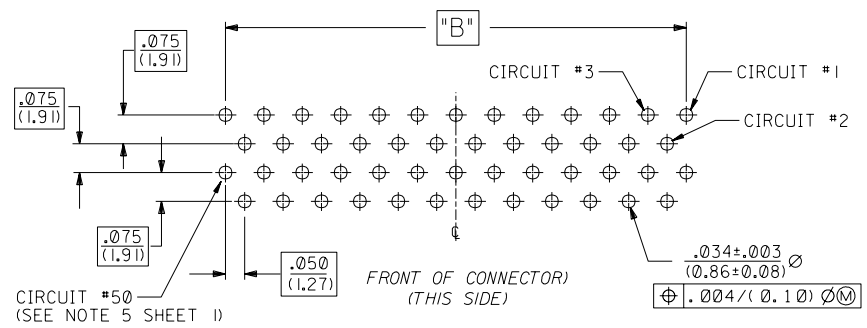
TYPE I RETENTION TAIL P.C. BOARD LAYOUT A-71061-1\*\*\*

LTR.		REVISIONS	LTR.	REVISIONS	D		SEE SHEET 1	DIMENSIONS SHOWN (METRIC) INCH UNLESS OTHERWISE SPECIFIED TOLERANCES: ANGULAR ± 1/2°		MFG. SH. REV.		REVISE ONLY ON CAD SYSTEM			
G		SEE SHEET 1	B		SEE SHEET 1		SEE SHEET 1		INCH METRIC		TITLE		SALES ASSEMBLY SCSI RECEPTACLE		
E		SEE SHEET 1	A		SEE SHEET 1		SEE SHEET 1		3 PLACE ± .005 2 PLACE ± --- ± 0.13 1 PLACE --- ± ---		MOLEX INCORPORATED LISLE, ILL. 60532 U.S.A.		SHEET NO. 4 DATE 95/03/03		
LTR.		REVISIONS	LTR.		REVISIONS		LTR.		DRAWING MUST REMAIN WITHIN DIMENSIONS		PART NO.		SDA-71061-****		
BY		J. Long		BY		J. Long		SCALE 4:1		FILE NAME 57106104.DGN		THIS DRAWING CONTAINS INFORMATION THAT IS PROPRIETARY TO MOLEX INC. AND SHOULD NOT BE USED WITHOUT WRITTEN PERMISSION.		DC C	

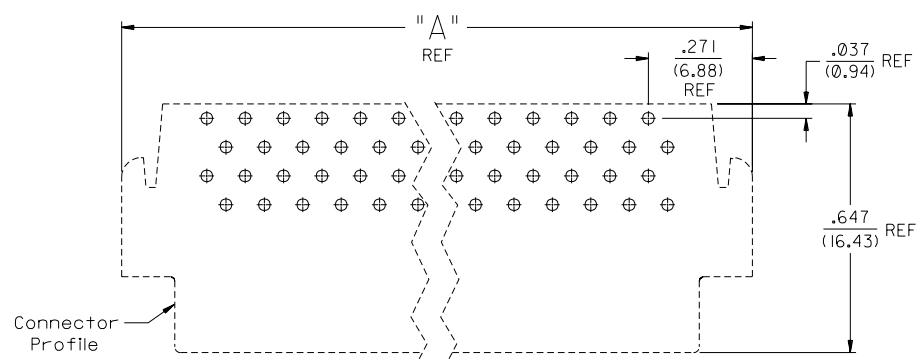
13	12	11	10	9	8	7	6	5	4	3	2	1
A-71061-0*** ITEM NO.	A-71061-1*** ITEM NO.	A-71061-2*** ITEM NO.		CKT. SIZE	DIM. A INCH MM	DIM. B INCH MM	DIM. C INCH MM	DIM. P INCH MM	REC'D PCB INCH MM	71061		
71061-0001				50	1.642 41.71	1.200 30.48	1.366 34.70	.125 3.18	.062 1.57			
71061-0003	71061-1003	71061-2003		68	2.092 53.14	1.650 41.91	1.816 46.13	.125 3.18	.062 1.57			



TYPE 1168 CIRCUIT P.C. BOARD LAYOUT  
CONNECTOR SIDE



TYPE 150 CIRCUIT P.C. BOARD LAYOUT  
CONNECTOR SIDE



Recommended Connector Layout  
(TYPE 1168 CIRCUIT SHOWN FOR REFERENCE)

TYPE 11 TAIL P.C. BOARD LAYOUT FOR 68 CKT A-71061-2\*\*\*

G		SEE SHEET 1	D		SEE SHEET 1	F		SEE SHEET 1	E		SEE SHEET 1
LTR.	REVISIONS	LTR.	REVISIONS	LTR.	REVISIONS	LTR.	REVISIONS	LTR.	REVISIONS	LTR.	REVISIONS

DIMENSIONS SHOWN (METRIC) INCH		UNLESS OTHERWISE SPECIFIED TOLERANCES: ANGULAR ± 1/2°		REVISIONS		REVISE ONLY ON CAD SYSTEM	
5 PLACE	± .005	INCH	METRIC	TITLE		SALES ASSEMBLY SCSI RECEPTACLE	
2 PLACE	± ---	± 0.13		MFG. SH. REV.			
1 PLACE	--- ± ---			PART NO.		SEE CHART	
DRAFT WHERE APPLICABLE MUST REMAIN WITHIN DIMENSIONS				MOLEX INCORPORATED		SHEET NO. 5	
DRWG. BY: J. Long				L15LEJLL 68532		DATE 95/11/14	
APP'D. BY: J. Long				FILE NAME		SDA-71061-****	
SCALE 4:1				7106105.DGN		DIV. DC	