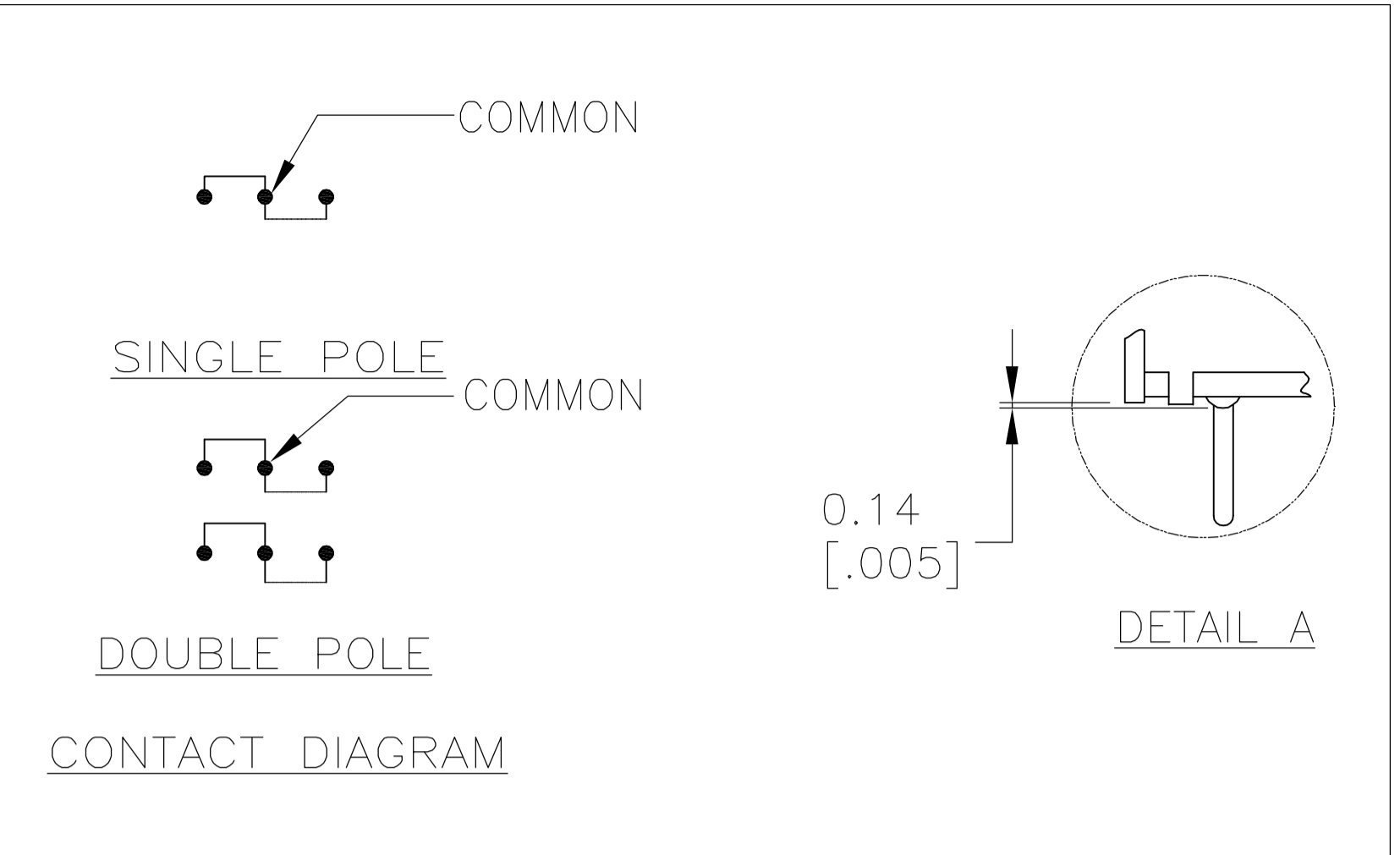


RECOMMENDED HOLE LAYOUT
 TOLERANCE ± 0.002 UNLESS OTHERWISE NOTED

SSB 22



- NOTES:
- ALL MATERIALS AND FINISHES SHALL COMPLY WITH EU DIRECTIVE 2002/95/EC OF 27JAN2003 (ROHS).
 - SEE SHEET 2 OF 2 FOR SSB42 AND SSB**R PART NUMBERS.

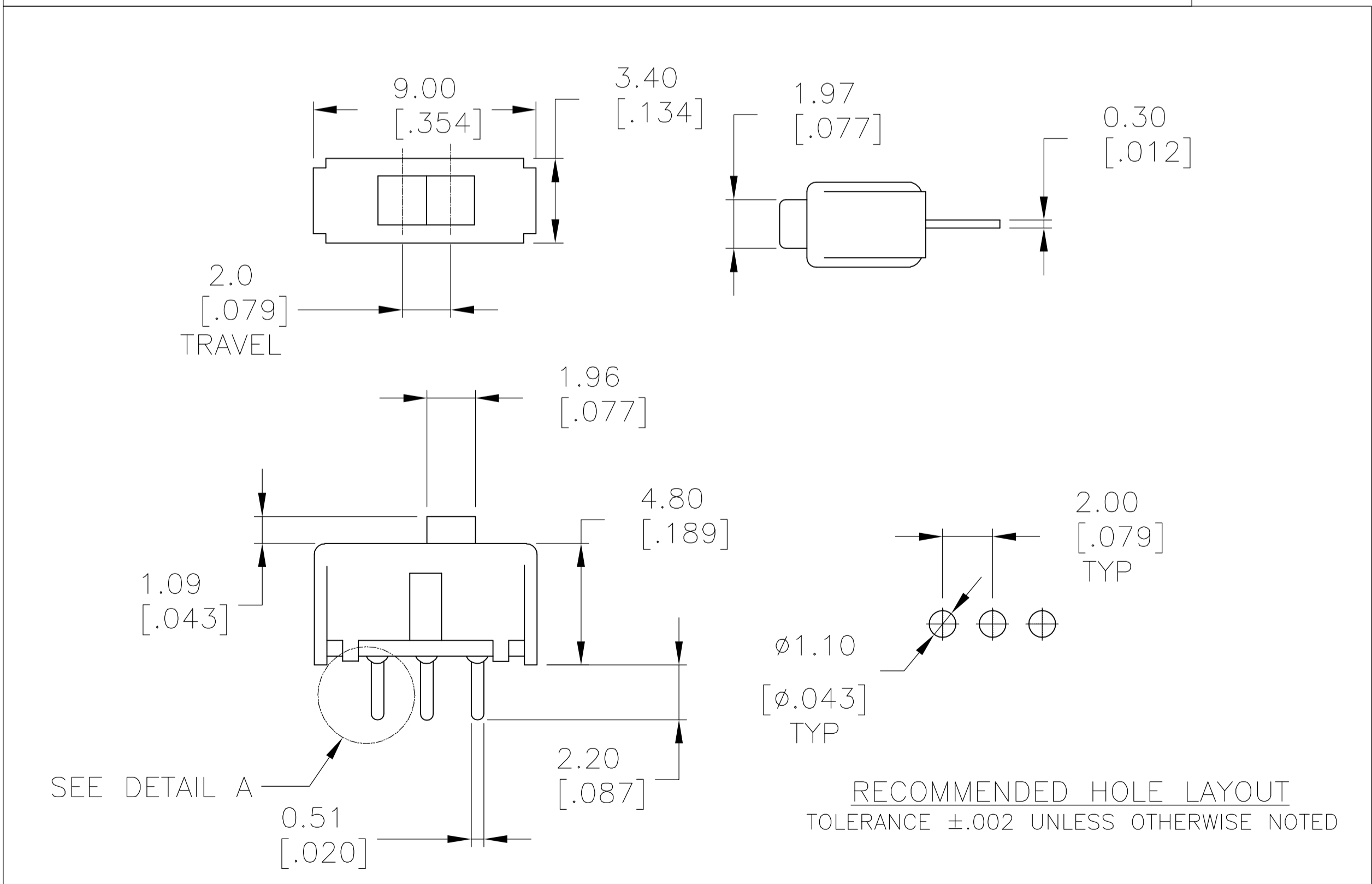
SPECIFICATIONS:
 MAKE BEFORE BREAK

MATERIALS:
 FRAME, STEEL-PLATE TIN OVER NICKEL
 TERMINAL BOARD, PHENOLIC, NATURAL
 ACTUATOR, POM, UL94-HB, BLACK
 MOVING CONTACT, COPPER ALLOY-PLATE SILVER OR GOLD OVER NICKEL
 FIXED CONTACT/TERMINAL, COPPER ALLOY-PLATE SILVER OR GOLD OVER NICKEL

ELECTRICAL:
 CONTACT RATING, (SILVER) 100mA@30VDC, (GOLD) .4VA @ 20V DC
 INITIAL CONTACT RESISTANCE, 30 MILLIOHMS MAX
 FINAL CONTACT RESISTANCE, 100 MILLIOHMS MAX
 INSULATION RESISTANCE, 100 MEGOHMS MIN.
 DIELECTRIC STRENGTH, 500 V AC for 1 MINUTE

MECHANICAL:
 ACTUATION FORCE, 250 +/-150 GRAMS
 ACTUATION TRAVEL, .079
 LIFE EXPECTANCY, 10,000 CYCLES

ENVIRONMENTAL:
 OPERATING TEMPERATURE, -20 to +85 DEGREES C
 STORAGE TEMPERATURE, -40 to +100 DEGREES C
 HUMIDITY AND TEMPERATURE CYCLING PER EIA-364-31B, METHOD III (SILVER)
 MIXED FLOWING GAS PER EIA-364-65A, CLASS IIIA, 20 DAYS (GOLD)
 THERMAL SHOCK, PER EIA-364-32C, -40 to +100 DEGREES C
 SOLDERABILITY, PER EIA-364-52, CLASS 2, CATEGORY 1, 95% MINIMUM COVERAGE
 RESISTANCE TO SOLDER HEAT,
 PER 109-202, CONDITION B (240 +/-5 C FOR 10 +2/-0 SECONDS)



RECOMMENDED HOLE LAYOUT
 TOLERANCE ± 0.002 UNLESS OTHERWISE NOTED

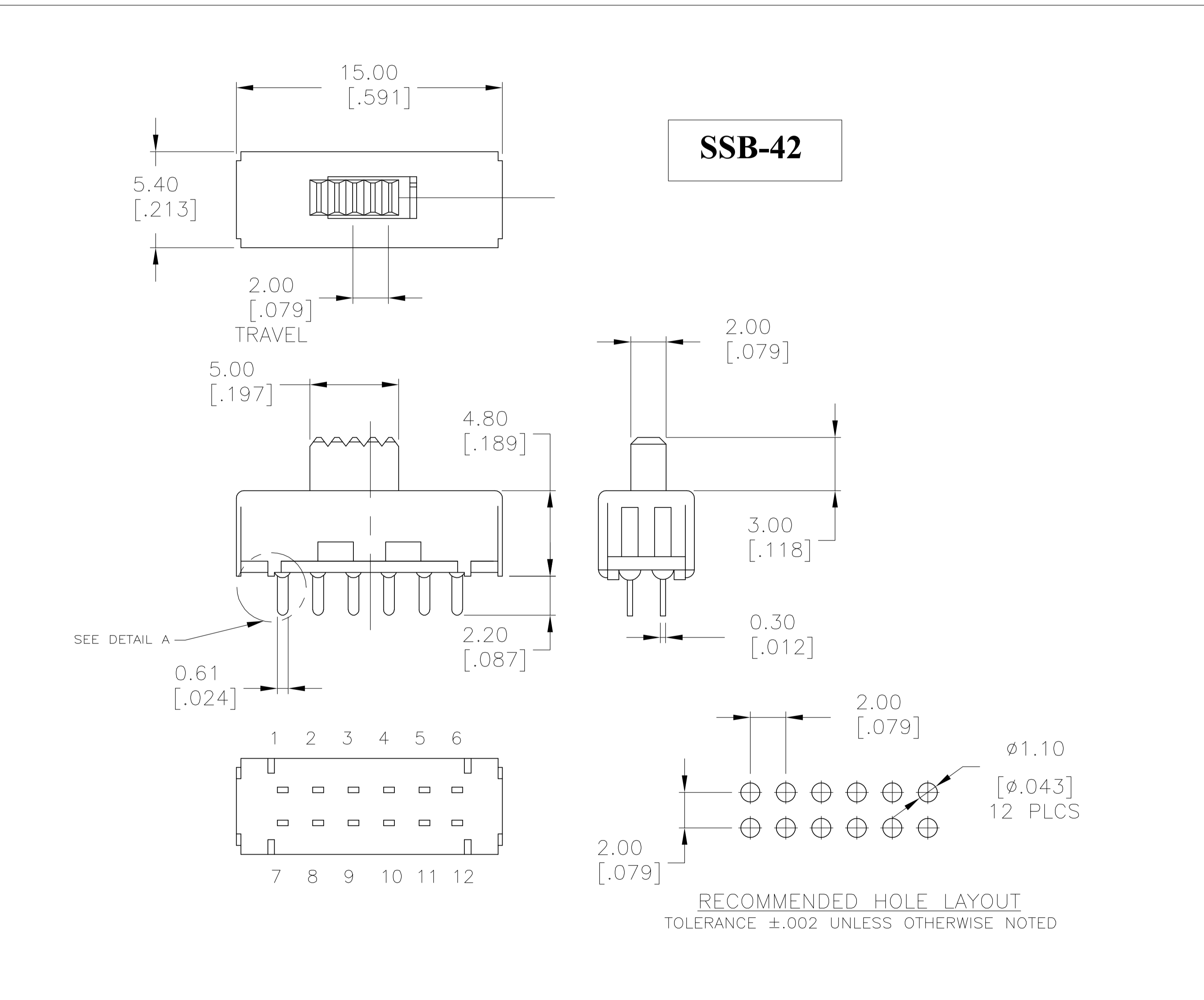
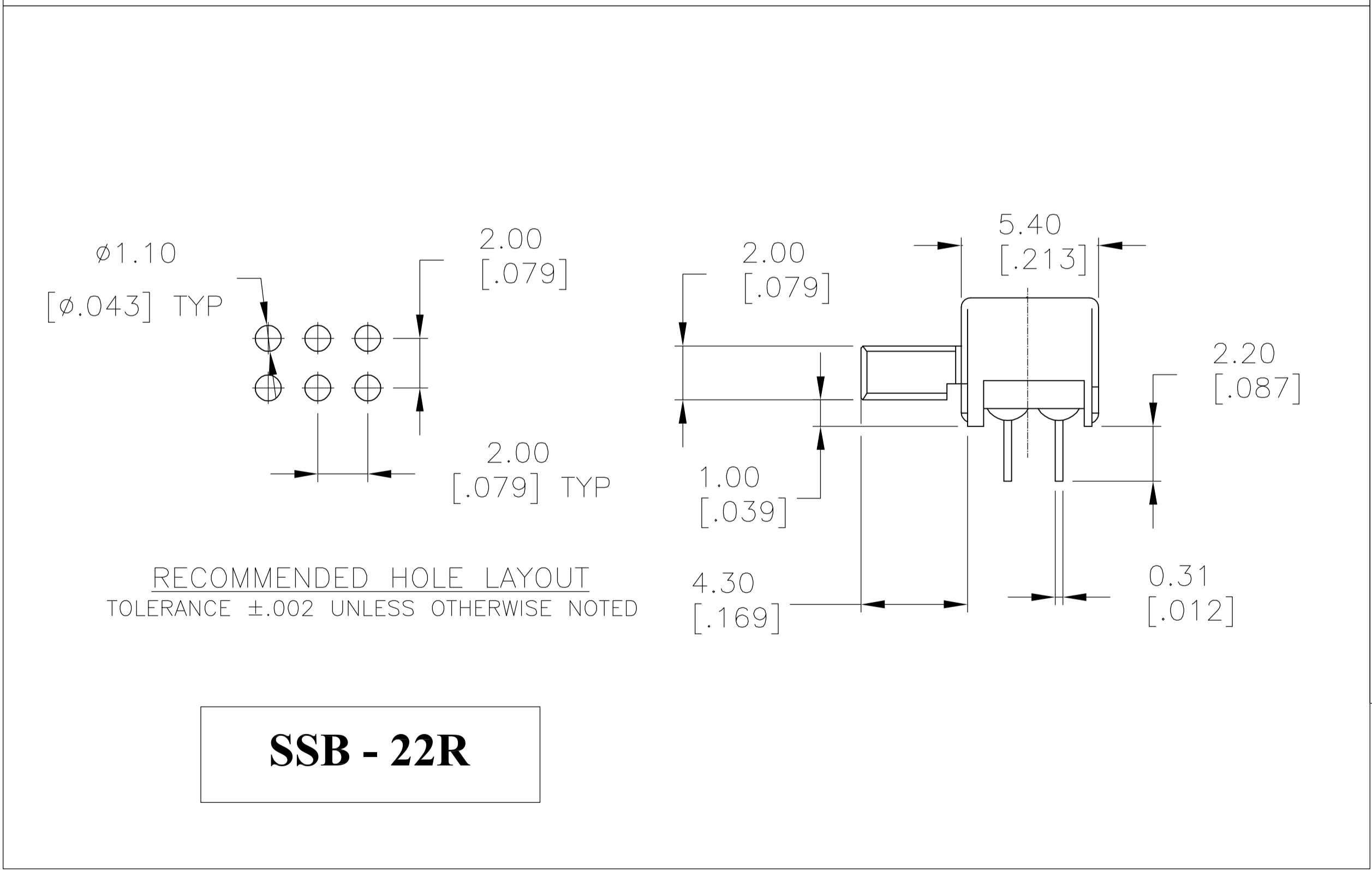
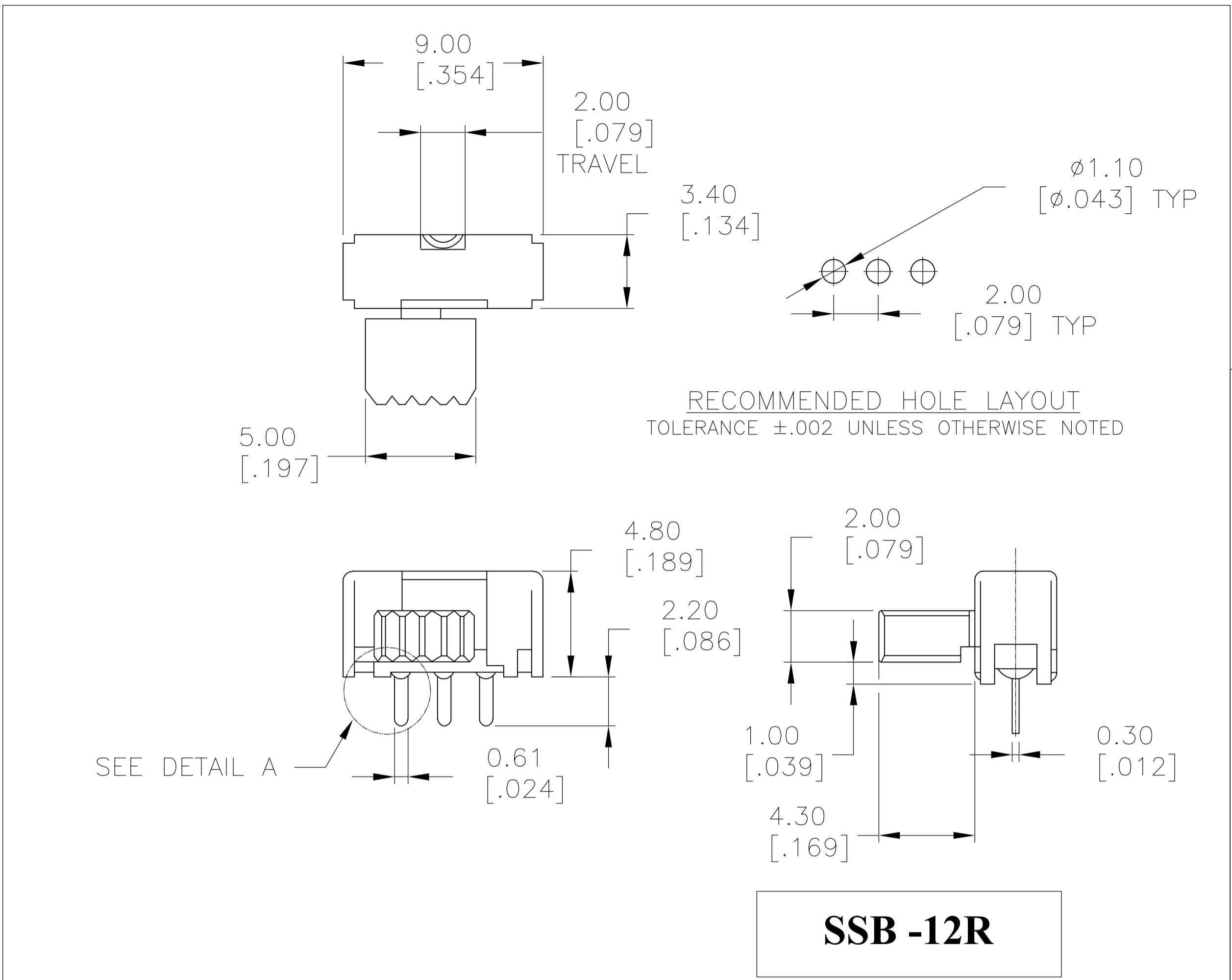
SSB - 12

1-2, 4-5 7-8, 10-11	2-3, 5-6 8-9, 11-12	GOLD	4PDT	SSB42G	2-1437575-9
1-2, 4-5 7-8, 10-11	2-3, 5-6 8-9, 11-12	SILVER	4PDT	SSB42	2-1437575-8
1-2, 4-5 1-2, 4-5	2-3, 5-6 2-3, 5-6	GOLD SILVER	DPDT DPDT	SSB22RG SSB22R	2-1437575-5 2-1437575-4
1-2, 4-5 1-2, 4-5	2-3, 5-6 2-3, 5-6	GOLD SILVER	DPDT DPDT	SSB22G SSB22	2-1437575-3 2-1437575-2
1-2 1-2	2-3 2-3	GOLD SILVER	SPDT SPDT	SSB12RG SSB12R	2-1437575-1 2-1437575-0
1-2 1-2	2-3 2-3	GOLD SILVER	SPDT SPDT	SSB12G SSB12	1-1437575-9 1-1437575-8
LEFT	RIGHT	PLATING	TYPE	ALCO P/N	TYCO P/N

THIS DRAWING IS A CONTROLLED DOCUMENT. **tyco Electronics** Tyco Electronics Corporation
 Harrisburg, Pa 17105-3608

DIMENSIONS: mm [INCHES]	TOLERANCES UNLESS OTHERWISE SPECIFIED:	PRODUCT SPEC	SIZE	CAGE CODE	DRAWING NO	RESTRICTED TO
0 PLC ± .01	1 PLC ± .01	---	A1	00779	2-1437575-3	---
2 PLC ± .025[.010]	3 PLC ± .025[.010]	---	---	---	---	---
4 PLC ± .025[.010]	ANGLES ± 1'	---	---	---	---	---
MATERIAL SEE ABOVE	FINISH ---	WEIGHT ---	---	---	---	---

CUSTOMER DRAWING SCALE 6:1 SHEET 1 OF 2 REV B



THIS DRAWING IS A CONTROLLED DOCUMENT.		DIN	B.S.VISWESWARA	25SEP05	tyco Electronics	Tyco Electronics Corporation Harrisburg, Pa 17105-3608	
DIMENSIONS: mm [INCHES]		CHK	-	APVD		NAME	SLIDE SWITCH, LOW PROFILE SSB SERIES
TOLERANCES UNLESS OTHERWISE SPECIFIED:		0 PLC \pm -		PRODUCT SPEC		SIZE	
1 PLC \pm -		2 PLC \pm 0.25[.010]		APPLICATION SPEC		CAGE CODE	
3 PLC \pm -		4 PLC \pm -		RESTRICTED TO		DRAWING NO	
ANGLES \pm 1°		MATERIAL		WEIGHT		A1 00779	
FINISH		SEE ABOVE		CUSTOMER DRAWING		SCALE 6:1	
				SHEET 2 OF 2		REV B	