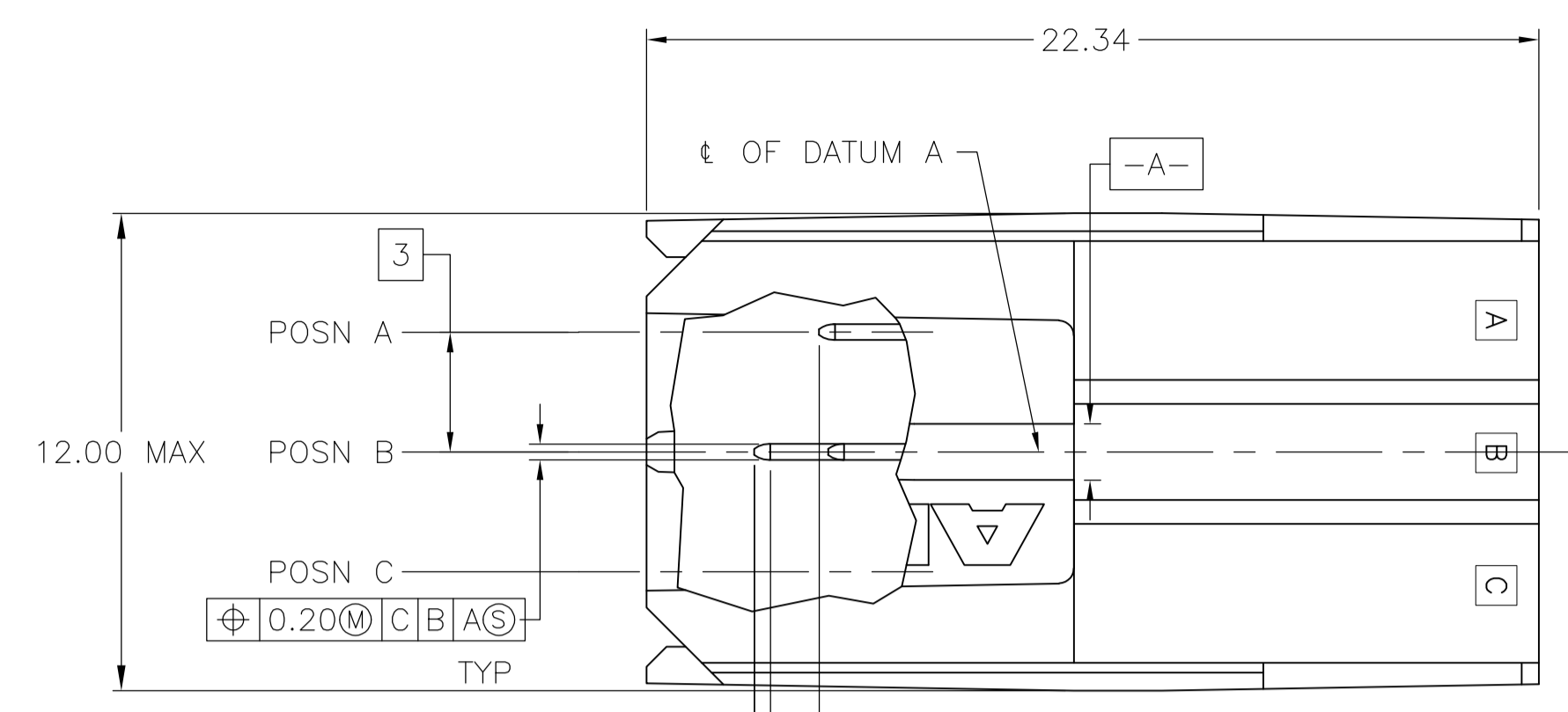
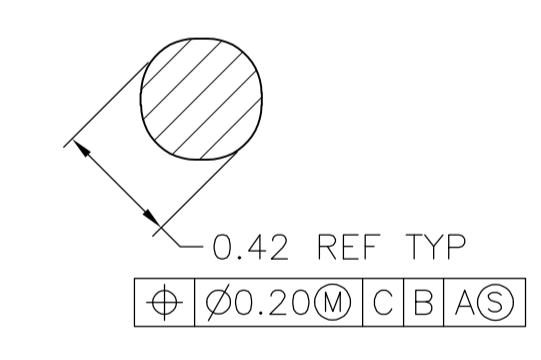
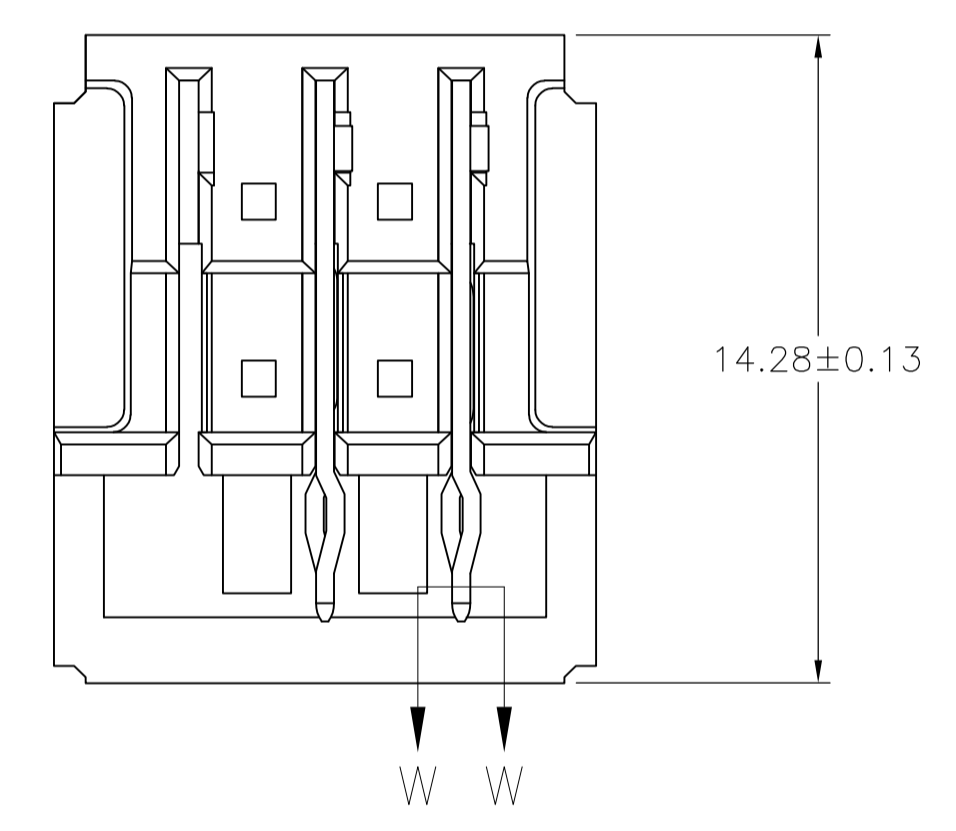
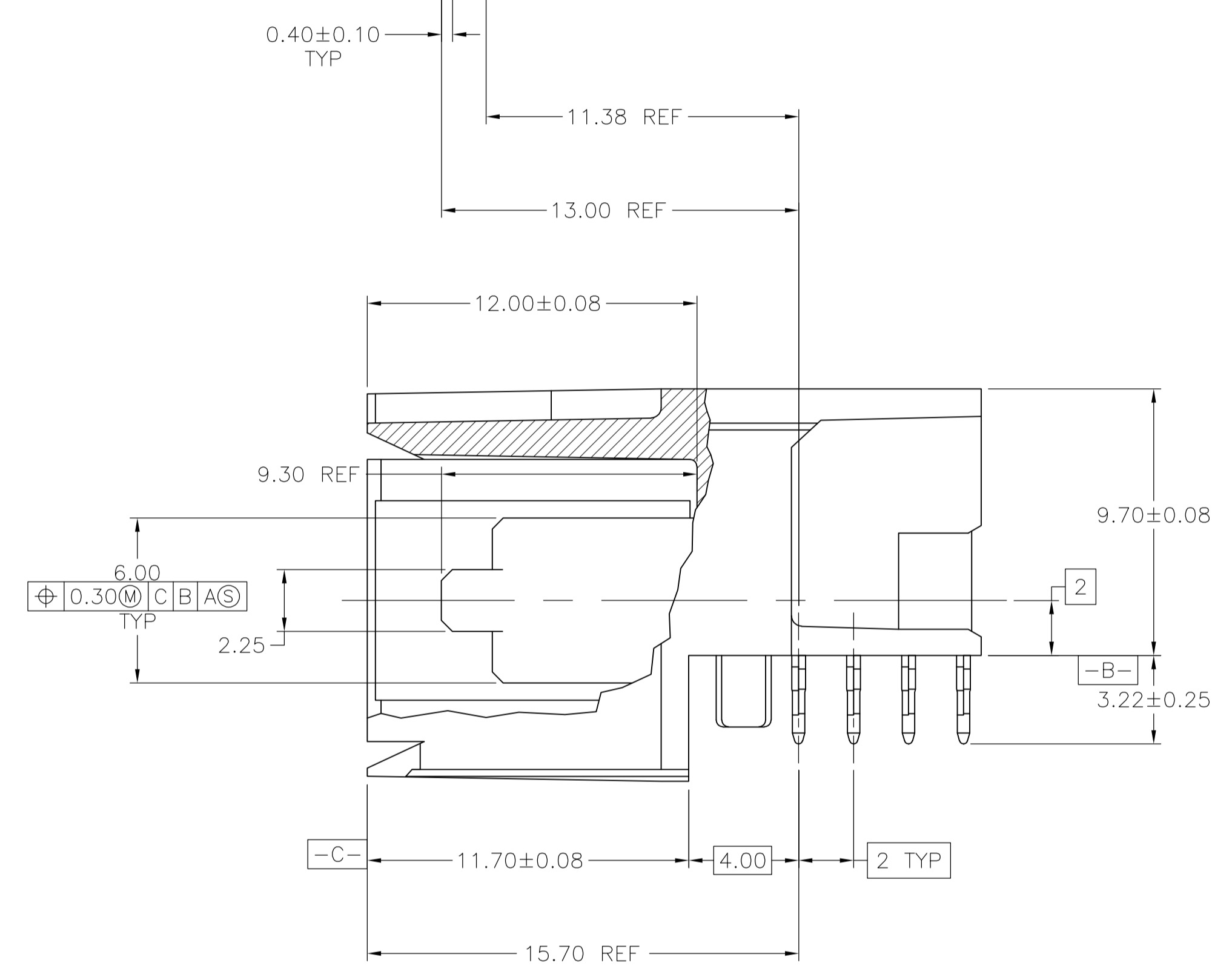
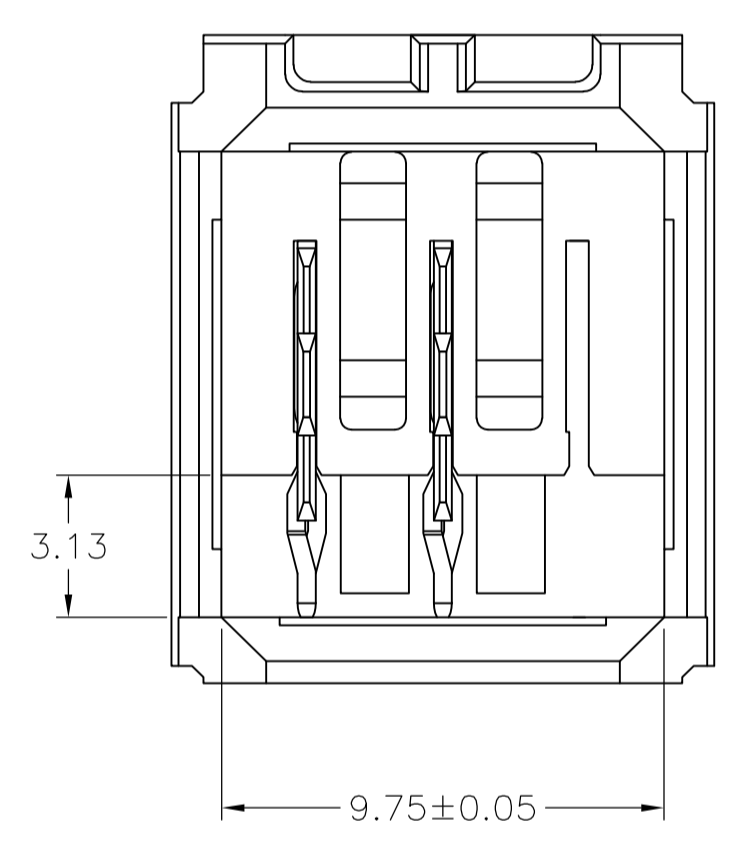


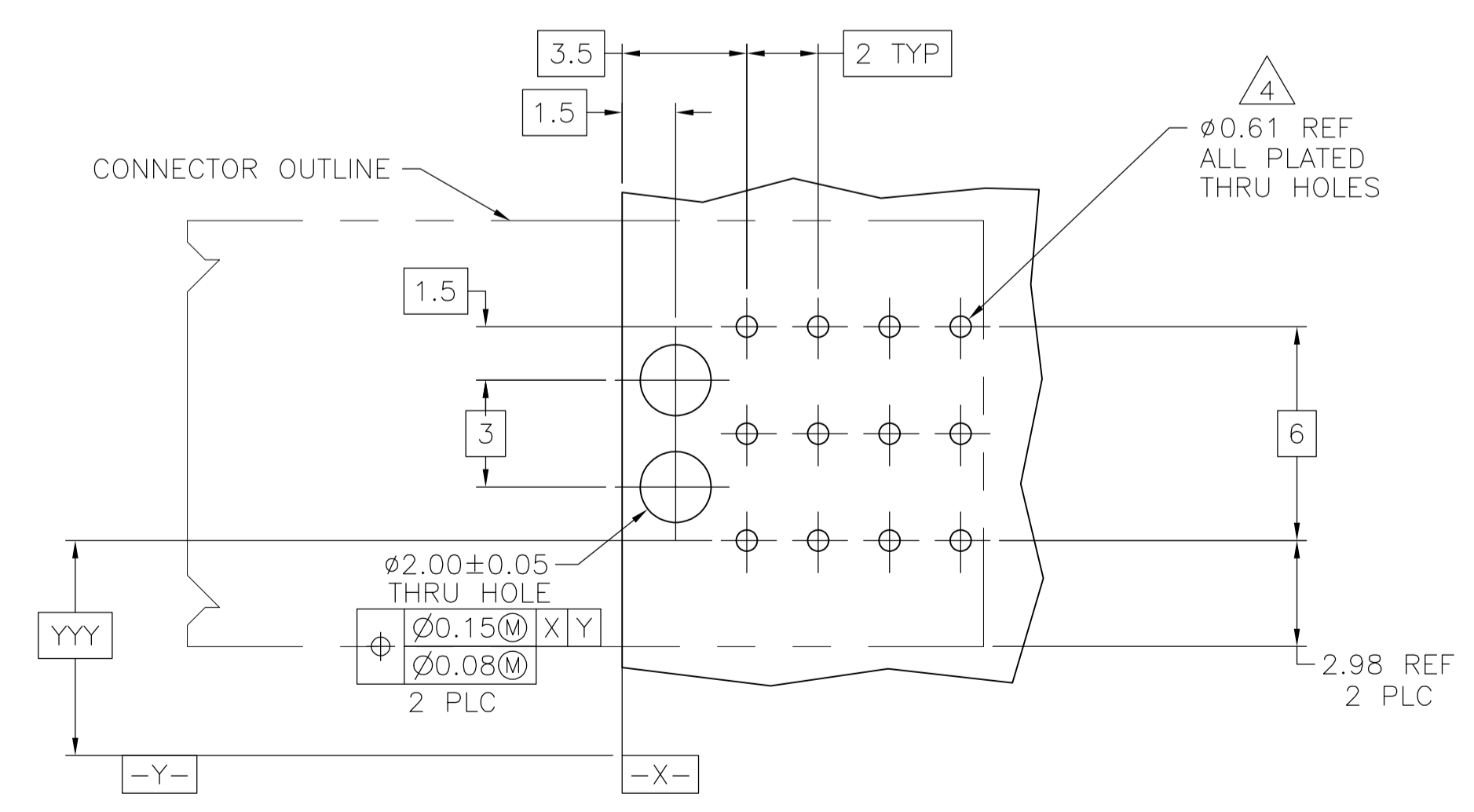
| LOC | | DIST | | REVISIONS | | | |
|-----|---------------------------|------|---------|-----------|-----|------|--|
| AD | 00 | REV | DATE | BY | CHK | APPV | |
| C | REVISED PER ECO-11-000045 | | 04JAN11 | DH | DY | | |



- 1 MATERIAL: HOUSING: POLYESTER. COLOR: GRAY. UL 94V-0. CONTACT: PHOSPHOR BRONZE.
- 2 FINISH: CONTACT MATING AREA: 1.27µm MIN GOLD OR 0.08µm MIN GOLD OVER 0.76µm PALLADIUM-NICKEL. ACTION PIN AREA: 0.5µm MIN TIN PLATE, ALL OVER 1.27µm MIN NICKEL UNDERPLATE.
- 3 FINISH: CONTACT LUBRICATION WITH BELLCORE APPROVED LUBRICANT. TECHNICAL REFERENCE: TR-NWT-001217, ISSUE 1, NOVEMBER 1992.
- 4 REFERENCE APPLICATION SPEC 114-1103 FOR RECOMMENDED PLATED THRU HOLE DIAMETER AND PLATING THICKNESS.
- 5. CURRENT RATING 10A/CONTACT PER PRODUCT SPEC 108-1651.



SECTION W-W
SCALE 40:1



RECOMMENDED PCB HOLE LAYOUT

| B | A | 2 | 120974-1 |
|---|---|------------------------|-------------|
| POSITIONS LOADED WITH 9.30 REF CONTACTS | POSITIONS LOADED WITH 7.68 REF CONTACTS | NO OF LOADED POSITIONS | PART NUMBER |

| | | | | | |
|---|--|--|--|---|--|
| THIS DRAWING IS A CONTROLLED DOCUMENT. | | DIN: B. CARDO 14DEC04 CHK: R. PATTERSON 14DEC04 APPV: R. PATTERSON 14DEC04 NAME: R. PATTERSON | | Tyco Electronics Corporation Harrisburg, PA 17105-3608 | |
| DIMENSIONS: mm TOLERANCES UNLESS OTHERWISE SPECIFIED: 0. PLC ± - 1. PLC ± - 2. PLC ± 0.13 3. PLC ± - 4. PLC ± - ANGLES ± - | | PRODUCT SPEC: - APPLICATION SPEC: - WEIGHT: - | | NAME: ASSEMBLY, RIGHT ANGLE HEADER, W/ RETENTION PEGS, UNIVERSAL POWER MODULE SIZE: A1 CAGE CODE: 00779 DRAWING NO: 120974 | |
| MATERIAL: 1 | | FINISH: 2, 3 | | CUSTOMER DRAWING SCALE: 6:1 SHEET: 1 OF 1 REV: C | |