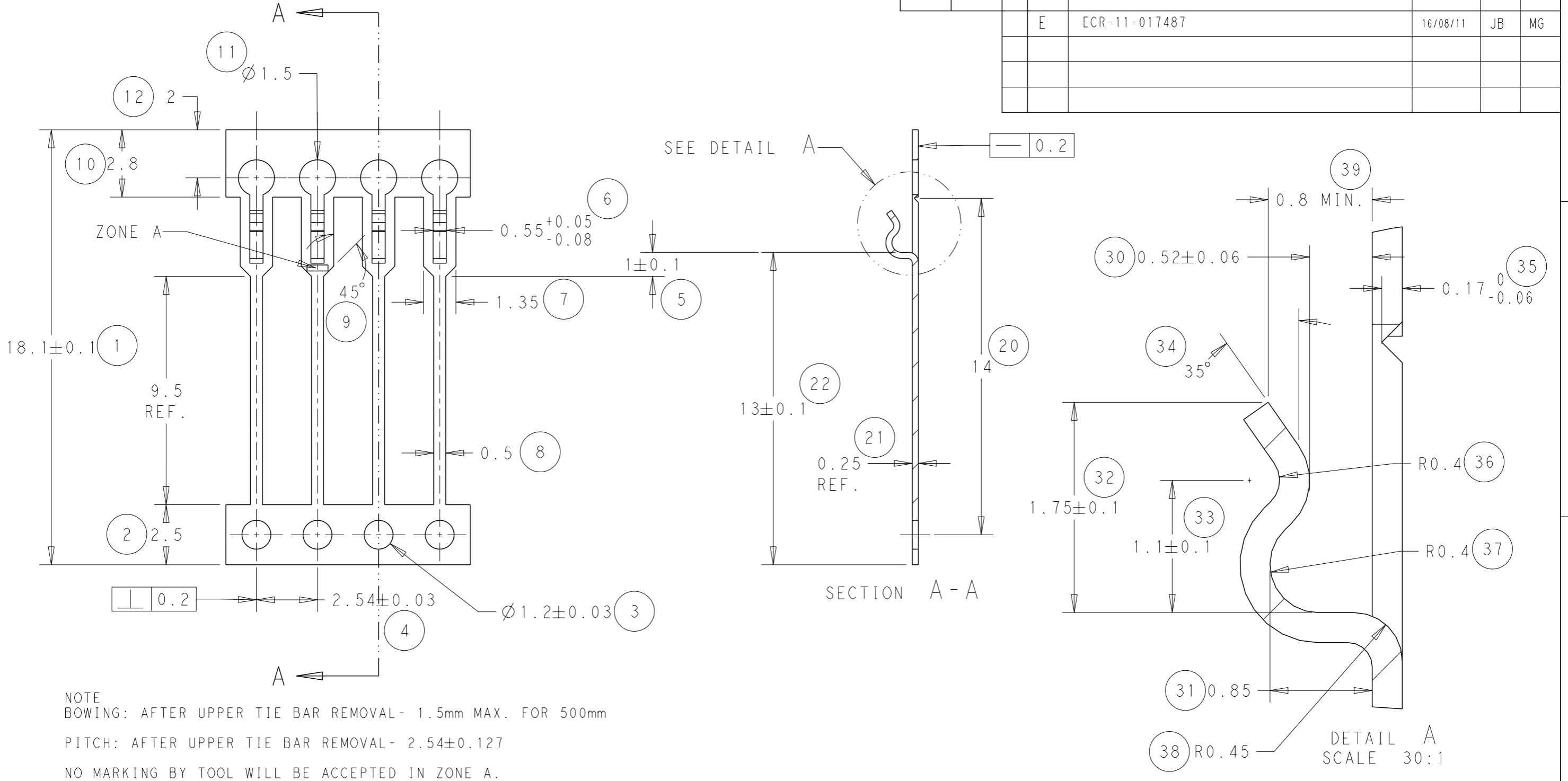
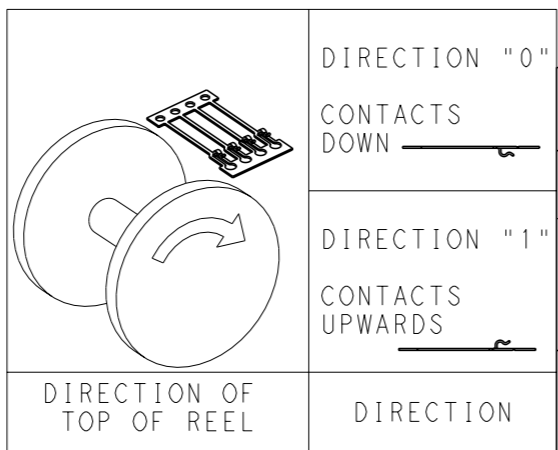
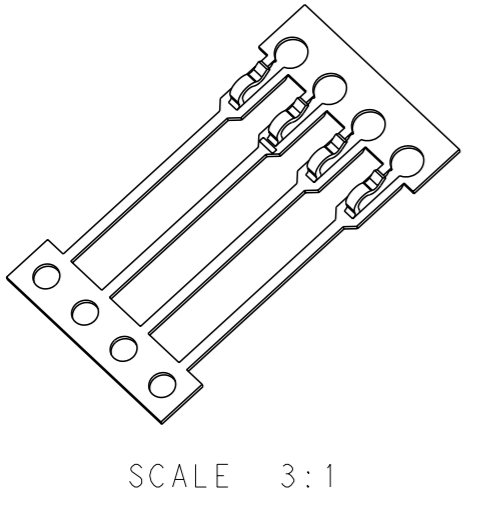


LOC	DIST	REVISIONS				
P	LTR	DESCRIPTION	DATE	DWN	APVD	
B	-	E	ECR-11-017487	16/08/11	JB	MG



NOTE  
 BOWING: AFTER UPPER TIE BAR REMOVAL- 1.5mm MAX. FOR 500mm  
 PITCH: AFTER UPPER TIE BAR REMOVAL- 2.54±0.127  
 NO MARKING BY TOOL WILL BE ACCEPTED IN ZONE A.



THIS DRAWING IS A CONTROLLED DOCUMENT.

DIMENSIONS:	TOLERANCES UNLESS OTHERWISE SPECIFIED:
mm	0 PLC ±-
	1 PLC ±-
	2 PLC ±0.05
	3 PLC ±-
	4 PLC ±-
	ANGLES ±0.5
MATERIAL	FINISH -
SEE ABOVE	

0	Ni & Sn	1544425-2
0	Sn	1544425-1
REELING	FINISH	PART NUMBER
DWN J. BRIGHT 16/08/11	TE Connectivity NAME: SIL CONTACT SIZE: A300779 CAGE CODE: 1544425 DRAWING NO: 1544425 RESTRICTED TO: -	
CHK M. GREENER 16/08/11		
APVD D. PENNINGTON 16/08/11		
PRODUCT SPEC		
APPLICATION SPEC	SCALE: NTS	SHEET: 1 OF 1
WEIGHT: -	REV: E	
CUSTOMER DRAWING		