



MODEL: RC-1206S-1
PRODUCT: Dynamic Receiver
EDITION: A/2016

Soberton Inc.

THIS SPECIFICATION COVERS OUR PRODUCT OF DYNAMIC RECEIVER UNIT FOR MOBILE TELEPHONE USE

RECEIVER ELECTROACOUSTIC CHARACTERISTICS

test set up	Measuring conditions and procedures shown in Fig.1
ac impedance	$32 \pm 15\% \Omega$ (@1KHz 1V) without baffle
sound pressure level	$110 \pm 3\text{dB SPL}$ @1.0KHz Sine Wave 179mV with IEC318(0dB SPL= $20\mu\text{Pa}$)
measuring condition	1mW (Sine wave) with baffle shown in Fig. 2
frequency response curve	As shown in Fig. 2
rated noise power	10mW, normal at a white noise (10mW, 200-3.4KHz) for one minute
short term max power	20mW
operation test	Must be free of audible noise (buzzes and rattles) (200 ~3.4KHz frequency range, input level up to 0.56Vrms)
distortion	Less than 10% @1KHz 179mV
dimension	12 x 6 x 5 mm

GENERAL SPECIFICATIONS

operating temperature range	$-20^{\circ}\text{C} \sim +60^{\circ}\text{C}$
standard test conditions	
temperature	$17^{\circ}\text{C} \sim 25^{\circ}\text{C}$
relative humidity	45%~80%(RH)

RELIABILITY TESTS

The sound pressure as specified shall neither deviate more than $\pm 3\text{dB}$ from the initial value, nor have any significant damage after any of following testing.

HIGH TEMPERATURE TEST

high temperature	$+60 \pm 2^{\circ}\text{C}$
duration	96 hours

LOW TEMPERATURE TEST

low temperature	$-20 \pm 2^{\circ}\text{C}$
duration	96 hours

HEAT SHOCK TEST

high temperature	$+60 \pm 2^{\circ}\text{C}$
low temperature	$-20 \pm 2^{\circ}\text{C}$
changeover time	<30 seconds
duration	1 hour
cycle	100

HUMIDITY TEST

temperature	$+40 \pm 2^{\circ}\text{C}$
relative humidity	90%~95%
duration	96 hours



MODEL: RC-1206S-1
PRODUCT: Dynamic Receiver
EDITION: A/2016

RELIABILITY TESTS (Continued)

TEMPERATURE CYCLE TEST

temperature	-20°C	+60°C
duration	45minutes	45minutes
temperature gradient	1~3°C/min	
cycle	25	

DROP TEST

mounted with dummy set mass	100 g
height	1.5 m
cycle	6(1 each plain) Onto the concrete board

LOAD TEST

Speaker mode	white noise(EIA filter)for 96 hour@10mW input power
--------------	---

MEASURING METHOD (SPEAKER MODE)

STANDARD

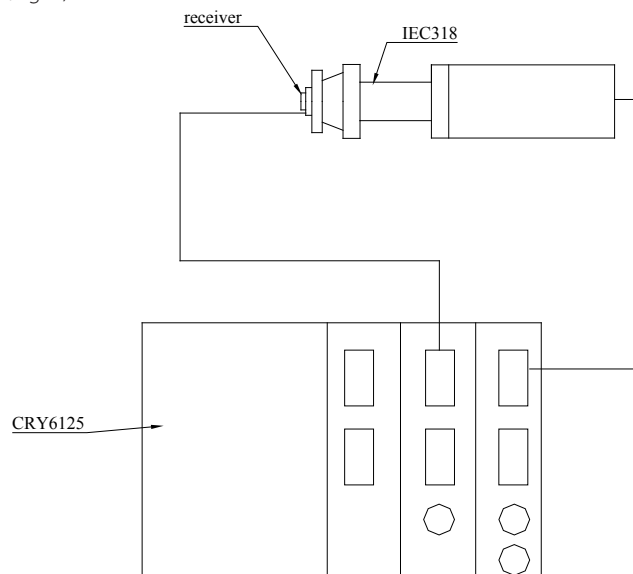
TEST CONDITION

temperature	15 ~ 35°C
relative humidity	45% ~ 85%
atmospheric pressure	860mbar to 1060mbar

STANDARD TEST FIXTURE

input power	179mW
zero level	-dB
mode	TSR
potentiometer range	50dB
sweep time	0.2sec

MEASURING CONDITIONS (Fig. 1)

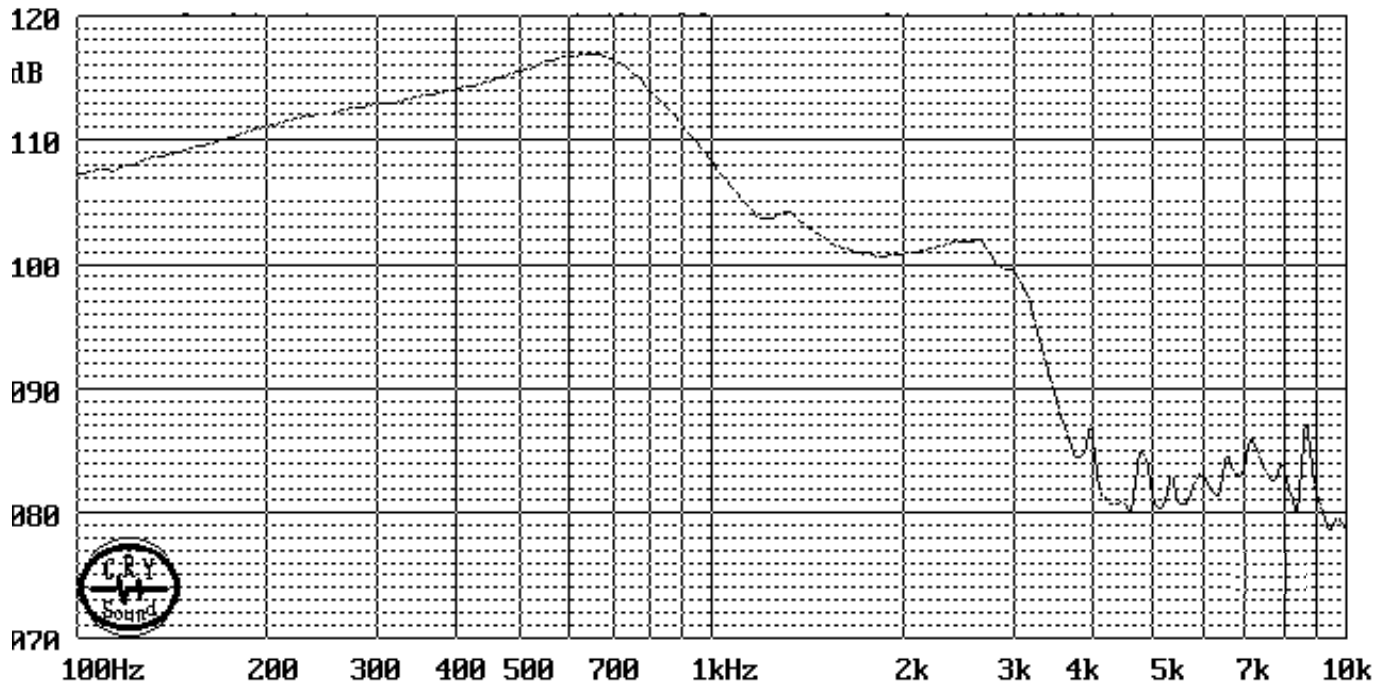




MODEL: RC-1206S-1
PRODUCT: Dynamic Receiver
EDITION: A/2016

Soberton Inc.

FREQUENCY RESPONSE CURVE (Fig. 2)

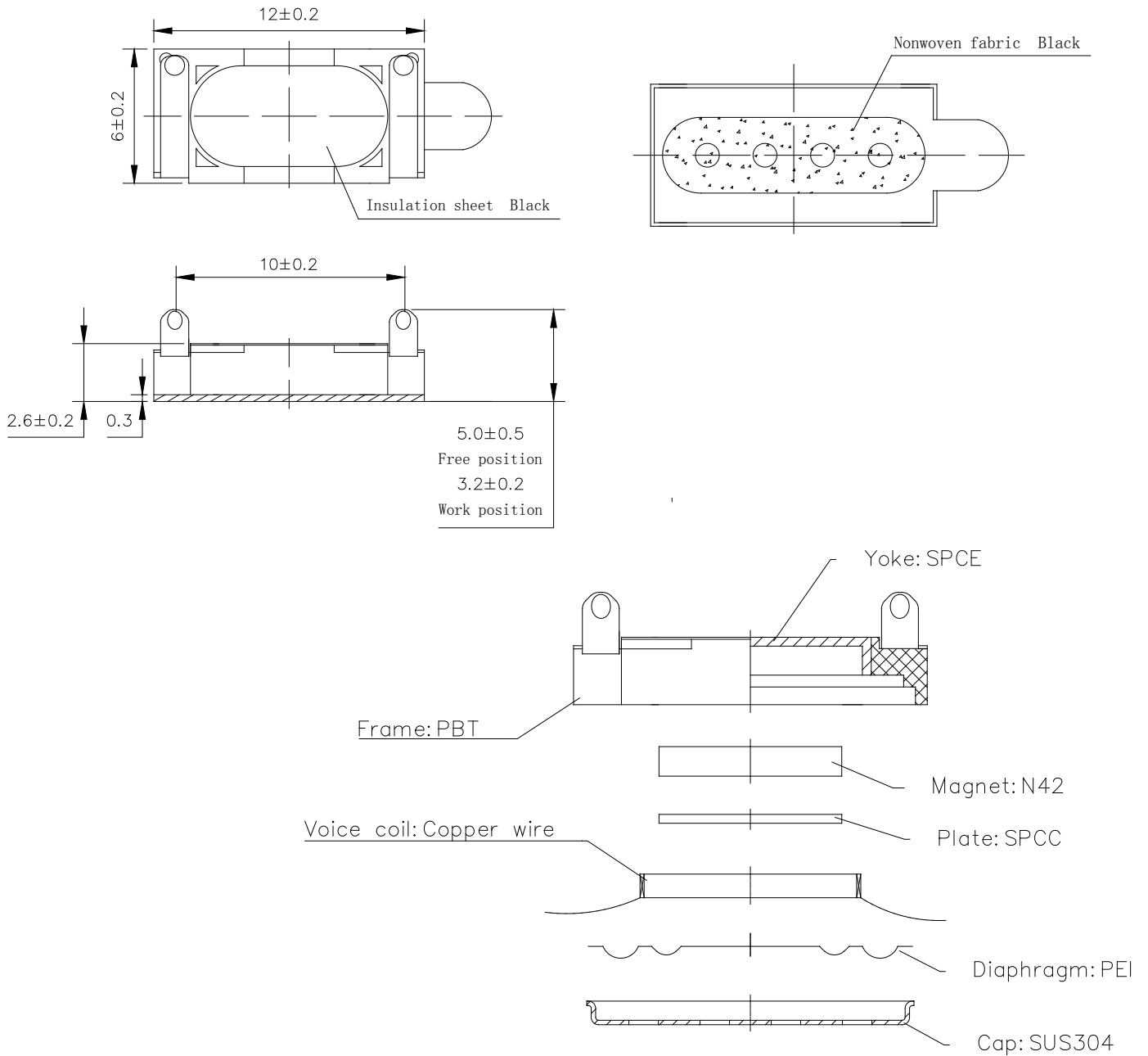




MODEL: RC-1206S-1
PRODUCT: Dynamic Receiver
EDITION: A/2016

DIMENSIONS

Tolerance: ±0.5 (unit: mm)



no	item	material	quantity
1	Cap	SUS 304	1
2	Diaphragm	PEI	1
3	Voice Coil	Copper wire	1
4	Plate	SPCC	1
5	Magnet	Nd Fe B	1
6	Frame	PBT	1
7	Yoke	Spce	1



MODEL: RC-1206S-1
PRODUCT: Dynamic Receiver
EDITION: A/2016

Soberton Inc.

PACKING

