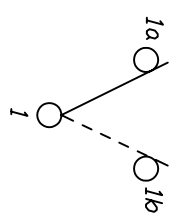
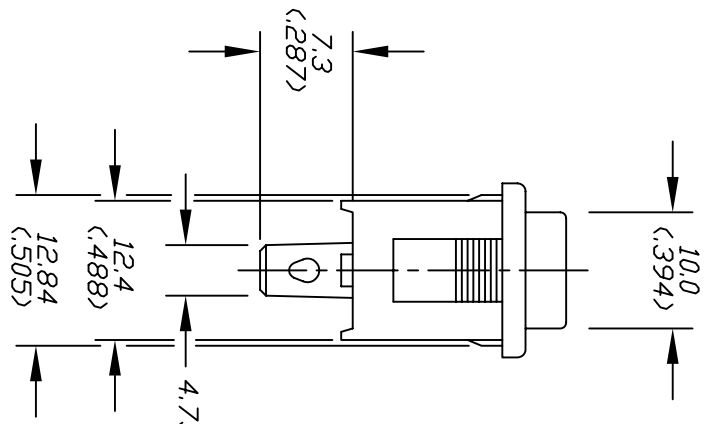


RECOMMEND PANEL MOUNTING

PANEL THICKNESS	X
0.75-1.25 (.030-.049)	19.2 (.756)
1.25-2.0 (.049-.079)	19.4 (.764)
2.0-3.0 (.079-.118)	19.8 (.780)



CIRCUIT: SPDT

CONTACT CONFIGURATION



() = Momentary

NOTES:

1. ALL DIMENSIONS IN MM (INCHES)
2. TERM. NOS. FOR REF ONLY
3. RATING: 15A 125V, 6A 250VAC.

REV.	RELEASED FOR PRODUCTION	DESCRIPTION	DATE	CHKD
A				

TOLERANCES		TITLE		
0.0	±0.4	SCALE	DATE	DR
0.00	±0.25	1.5:1	10/22/97	MM
		SWITCH® R1966GKKEF		
		DWG	M304200	REV
				A

THE INFORMATION CONTAINED IN THIS DOCUMENT IS PROPRIETARY TO E-SWITCH AND IS NOT TO BE COPIED OR TRANSFERRED