

H G F E D C B A

4

3

2

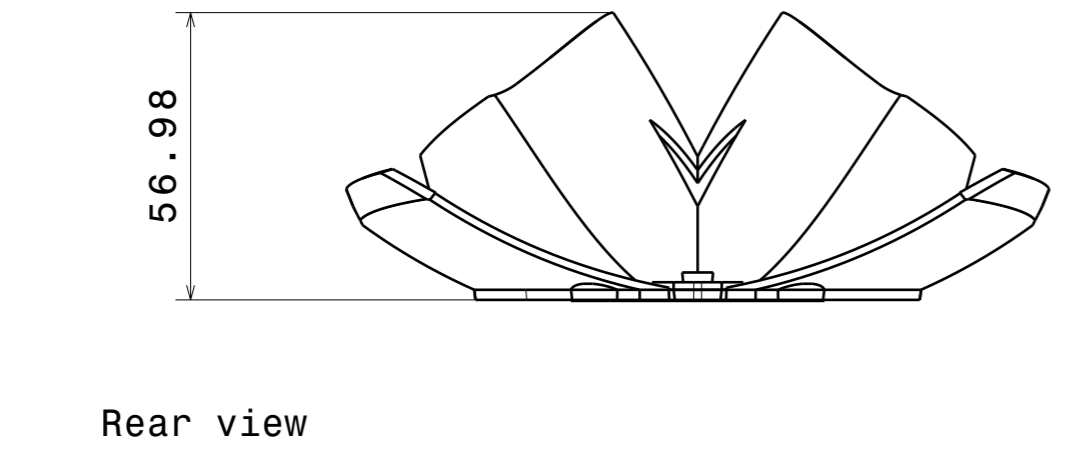
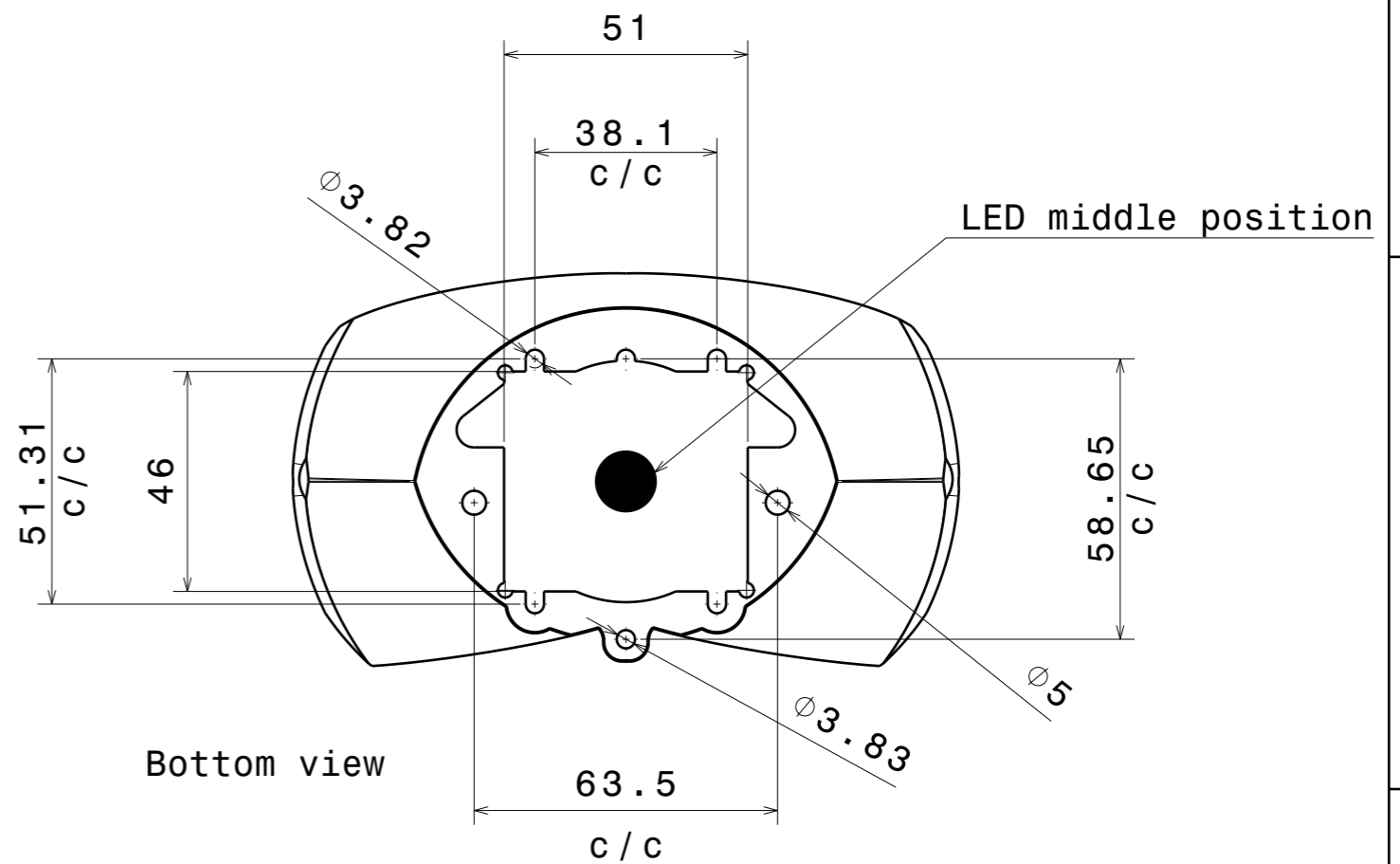
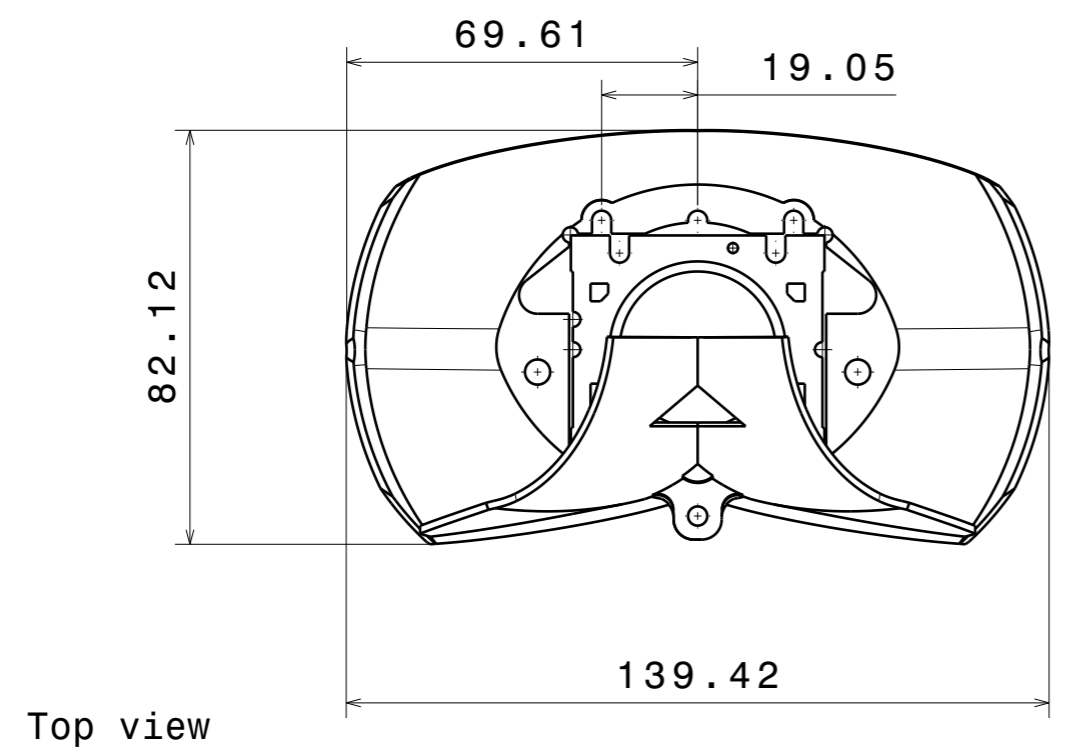
1

4

3

2

1



INDEX	PART NO	DESCRIPTION	MATERIAL	COLOUR
1	C13743	BERTHA1-TYPE2-S_BASE	PEI, SiO2	metal
2	C13744	BERTHA1-TYPE2-S_TOP	PEI, SiO2	metal

Tolerances if not otherwise shown
 According to DIN ISO 2768-1
 Linear measures:
 up to 30mm class M, otherwise class C
 According to DIN ISO 2768-2
 Form and position: class L

LEDiL LediL Oy
 Salorankatu 10
 FIN 24240 SALO
 Finland

THIRD ANGLE PROJECTION:

DRAWING TITLE
CN13377_BERTHA1-TYPE2-S

This drawing is the property
 of LEDiL Oy. It may not be
 reproduced, copied or
 communicated without a written
 agreement with LEDiL Oy.

SIZE	PART NUMBER
A3	CN13377

SCALE	1:1	WEIGHT	28,8 g	SHEET	1/1
-------	-----	--------	--------	-------	-----

H G B A